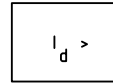
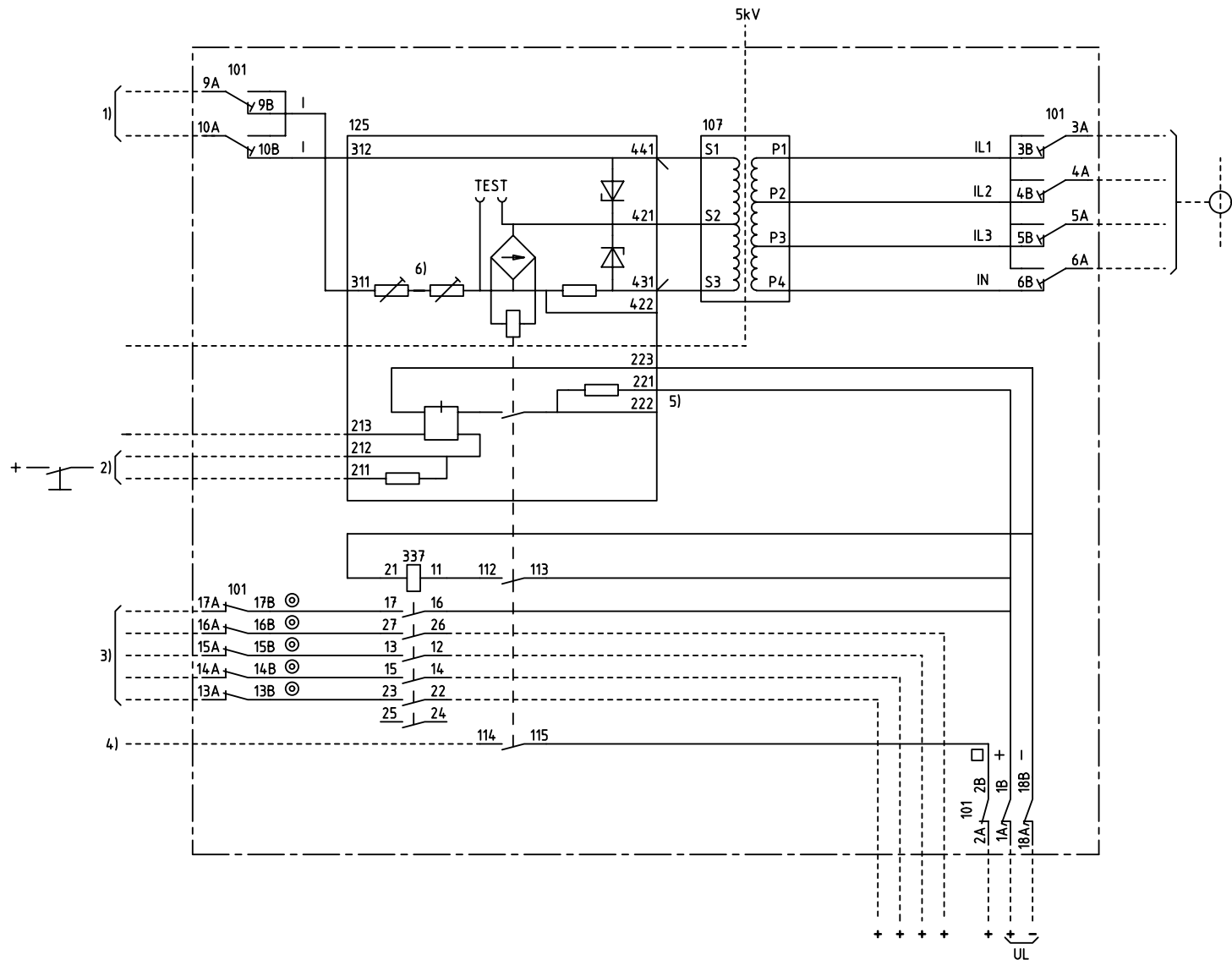
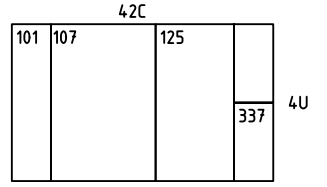


We reserve all rights in this document and in the information contained therein. Reproductions, use or distribution of this document without the written authority of ABB Automation Technologies AB is strictly forbidden. © ABB Automation Technologies AB



PILOT-WIRE DIFFERENTIAL PROTECTION  
LÄNGSDIFFERENTIALSKYDD



- 101 RTXP 18
- 107 TRANSFORMER UNIT  
TRANSFORMATORENHET
- 125 RXDHL 4
- 337 RXMS 1

- 1) PILOT-WIRES  
HJÄLPTRÅDAR
- 2) RESETTING  
AT 110-150 V DC CONNECT TO 211  
AT 24-55 V DC CONNECT TO 212  
ÅTERSTÄLLNING  
VID 110-250 V DC ANSLUT TILL 211  
VID 24-55 V DC ANSLUT TILL 212
- 3) TRIPPING ETC.  
UTLÖSNING M.M.
- 4) ALARM ETC.  
SIGNAL M.M.
- 5) CONNECTED FOR UL=110-250 V DC  
CHANGED FROM 221 TO 222 AT  
UL=24-55 V DC  
KOPPLAD FÖR UL=110-250 V DC  
ÄNDRA FRÅN 221 TILL 222 VID  
UL=24-55 V DC
- 6) DELIVERY SETTING 266 OHM  
LEVERANSINSTÄLLNING 266 OHM

Customer drw no	Prep. PTUA/ TPTD Eriksson Jill 2000-10-31	RK 612 001-HA	Circuit Diagram	Cont. sh/ No of sh	
	Appr. PTUA/ TATD Karlsson Roger 2000-11-08				Differential protection
	Resp. dept PTUA/ TPTD	Document number	Lang.	Rev.	Sheet
Based on	<b>ABB</b> ABB Automation Technologies	<b>7434209-HA</b>	82	B	1

Document status: Approved