

# Control<sup>IT</sup>

## S900 Process I/O System

### Field Housing FH660S/FH662S

# Data sheet

1.0.0



# ABB

## NOTICE

The information in this document is subject to change without notice and should not be construed as a commitment by ABB. ABB assumes no responsibility for any errors that may appear in this document.

In no event shall ABB be liable for direct, indirect, special, incidental or consequential damages of any nature or kind arising from the use of this document, nor shall ABB be liable for incidental or consequential damages arising from use of any software or hardware described in this document.

This document and parts thereof must not be reproduced or copied without written permission from ABB, and the contents thereof must not be imparted to a third party nor used for any unauthorized purpose.

The software or hardware described in this document is furnished under a license and may be used, copied, or disclosed only in accordance with the terms of such license.

Copyright © 2003 ABB

All rights reserved.

Release: 1.0.0

Document number: S900\_Data-sheet\_FH660S-FH662S

## TRADEMARKS

Registrations and trademarks used in this document include:

FieldController	Registered trademark of ABB Automation Products GmbH, Germany.
PROFIBUS and PROFIBUS-DP	Trademark of PROFIBUS International (P.I.) Registered trademark of Microsoft Corporation.
HART	Trademark of HART Communication Foundation



AUTOMATION PRODUCTS

# S900 IN FIELD HOUSING FH660S/FH662S MOUNTING DIAGRAMS

**CABLE COLOURS**

24 V/DC EEx-e red  
 0 V/DC EEx-e blue  
 POTENTIAL 24V/DC FIELD: grey  
 POTENTIAL 0V/DC FIELD: grey

**TERMINALS**

X01: SUPPLY VOLTAGE 24 V/DC EEx-e  
 X04: POTENTIAL 24 V/DC FIELD-INPUT  
 X05: POTENTIAL 24 V/DC FIELD-OUTPUT

**CABLE DIAMETER IN FIELD HOUSING**

24 V/DC EEx-e 2.5 mm<sup>2</sup>  
 0 V/DC EEx-e 2.5 mm<sup>2</sup>  
 POTENTIAL 24V/DC FIELD: 1.5 mm<sup>2</sup>  
 POTENTIAL 0V/DC FIELD: 1.5 mm<sup>2</sup>

**CABLE DIAMETER EXTERNAL**

24 V/DC EEx-e (TERMINALS/DIRECTLY) max. 10.0/2.5 mm<sup>2</sup>  
 0 V/DC EEx-e (TERMINALS/DIRECTLY) max. 10.0/2.5 mm<sup>2</sup>  
 POTENTIAL 24V/DC FIELD: max. 2.5 mm<sup>2</sup>  
 POTENTIAL 0V/DC FIELD: max. 2.5 mm<sup>2</sup>

**No. INSIDE HOUSING  
EXAMPLE**

1 F 2



CROSS SECTION (SEE TOP OF PAGES)  
 TYPE OF DEVICE  
 PAGE No.

Copyright by ABB AUTOMATION PRODUCTS

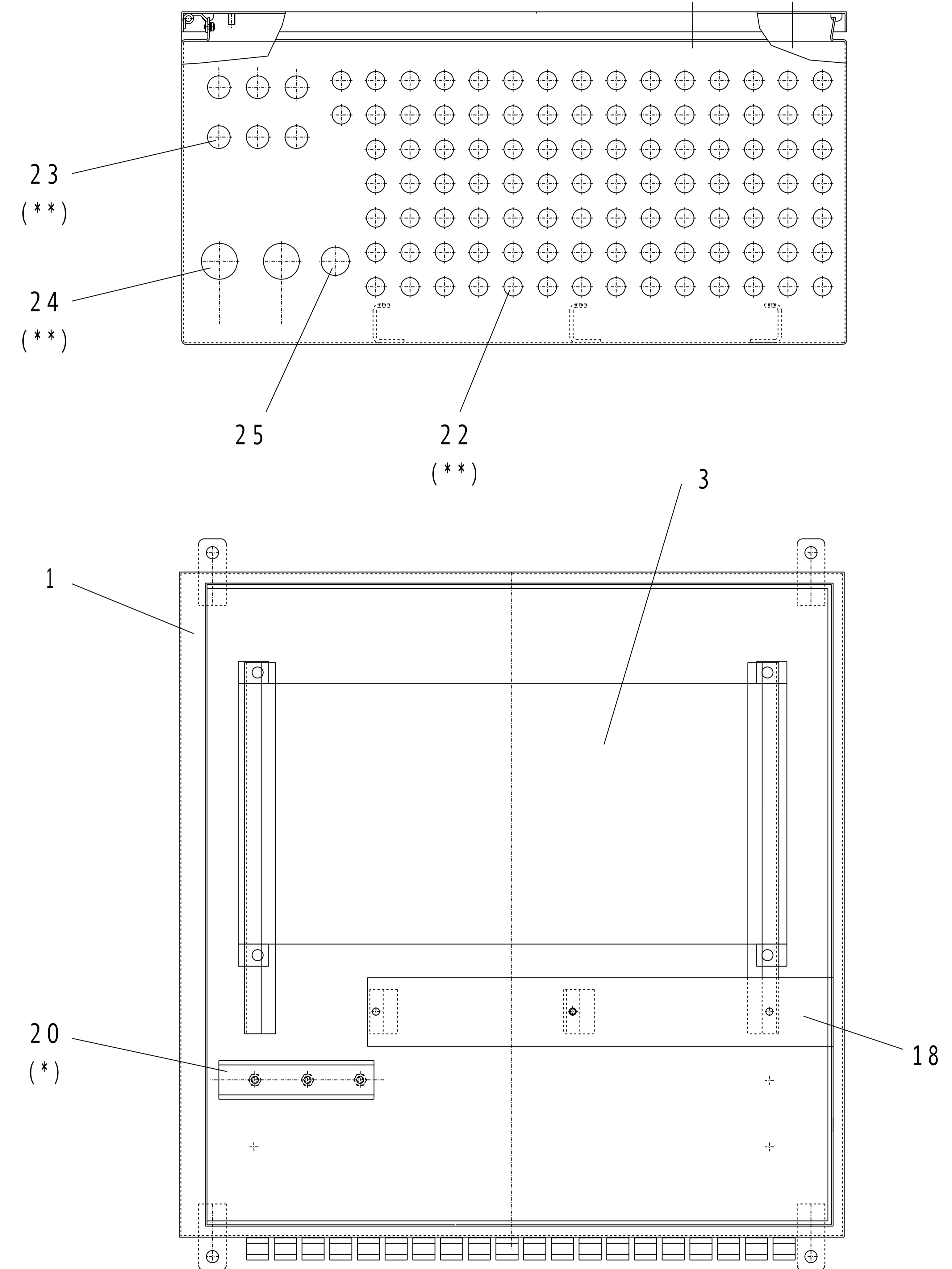
Achtung:  
 Diese Technische Dokumentation ist urheberrechtlich geschützt. Die Übersetzung, sowie die Vervielfältigung und Verbreitung in jeglicher Form - auch als Bearbeitung oder in Auszügen - insbesondere als Nachdruck, photomechanische oder elektronische Wiedergabe oder in Form von Speicherung in Datenverarbeitungsanlagen oder Datennetzen ohne Genehmigung des Rechteinhabers sind untersagt und werden

Copyright by ABB AUTOMATION PRODUCTS

Attention:  
 This technical documentation is protected by copyright. Translating, photocopying and disseminating it in any form whatsoever - even editings or excerpts thereof - especially as reprint, photomechanical or electronic reproduction or storage on data processing systems or networks is not allowed without the permission of the copyright owner and non-compliance will lead to both civil and criminal prosecution.

F	a				S900 IN FIELD HOUSING 600x600x300 mm (WxHxD)	AUTOMATION PRODUCTS Borsigstrasse 2, D - 63755 Alzenau	COVER SHEET FH660S/FH662S-XXXX	PROJECT S900 IN FIELD HOUSING	A1		1
	b		DATE	13.03.2003							
	c		DRAWN	Schulz							
	d		COORD.								
	DETAILS OF REVISION	DATE	NAME	CHECKED	ORIG.	REPL.	© COPYRIGHT BY ABB AUTOMATION PRODUCTS				

POSITION	QUANTITY	DESCRIPTION	TYPE/ORDER No.	REMARKS
1	1	HOUSING, STAINLESS STEEL	Rose A 11286	600x600x300x1,5 mm
2				
3	1	TERMINATION UNIT (BACKPLANE), REDUNDANT	ABB TU921S	
4				
5	(*)	POWER CONDITIONER	ABB BP901S	
6	(*)	TERMINALS 24VDC (OPTION)	Phoenix UK10N-Ex	max. 10mm2
7	(*)	SWITCH (OPTION)	BARTEC 07-7311-6131/EE00	
8	(*)	ISOLATING REPEATER WITH BUS TERMINATION (OPTION)	ABB BI913S	CU POINT-TO-POINT COUPLER
9				
10				
11				
12				
13				
14				
15				
16				
17				
18	1	CABLE DUCT, BLUE	Rose	62,5x62,5 mm/ length 420 mm
19				
20	1	DIN RAIL TS35	Rose	35x7,5 mm/ lenght 140 mm
21				
22	100	CABLE GLAND M16, EEx-e (**)	Caprie CMDEL-T	CABLE DIAMETER 6-11 mm
23	6	CABLE GLAND M20, EEx-e (**)	Caprie CMDEL-T	CABLE DIAMETER 8,5-13 mm
24	2	CABLE GLAND M32; EEx-e (**)	Caprie CMDEL-T	CABLE DIAMETER 17,5-25 mm
25	1	DRAIN PLUG/BREATHER M25, EEx e	Stahl 8162003020	
26				
27				
28				
29				
30				

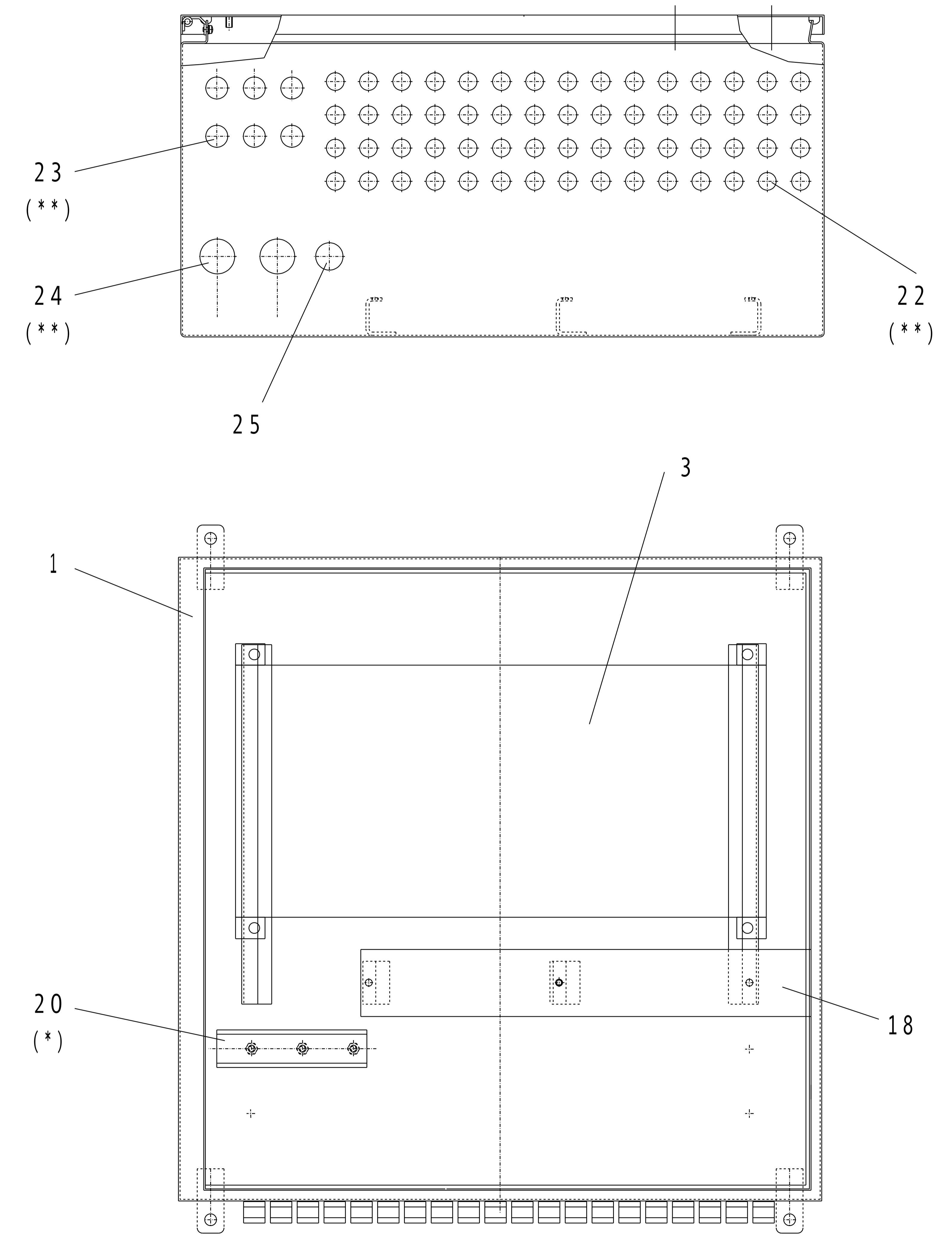


(\*) SPECIFIC ASSEMBLY WITH POS. 5-8 SEE ORDERING MATRIX (SHEET 4-7), POWER CONDITIONER IS/ARE REQUIRED ALWAYS ! ASSEMBLY LENGTH OF DIN RAIL IS 140 mm MAXIMUM!

(\*\*) ALL CABLE GLANDS EMV WITH SHIELD CONNECTION

a					S900 IN FIELD HOUSING	<b>ABB</b> AUTOMATION PRODUCTS Borsigstrasse 2, D - 63755 Alzenau	FH660S-XXXX  PARTS LIST	A1	2	
b			DATE	13.03.2003						
c			DRAWN	Schulz						
d			COORD.							
DETAILS OF REVISION			DATE	NAME	CHECKED	ORIG.	REPL.	PROJECT	PURCHASE ORDER No.:	
								S900 IN FIELD HOUSING		

POSITION	QUANTITY	DESCRIPTION	TYPE/ORDER No.	REMARKS
1	1	HOUSING, STAINLESS STEEL	Rose A 11286	600x600x300x1,5 mm
2				
3	1	TERMINATION UNIT (BACKPLANE), REDUNDANT	ABB TU921S	
4				
5	(*)	POWER CONDITIONER	ABB BP901S	
6	(*)	TERMINALS 24VDC (OPTION)	Phoenix UK10N-Ex	max. 10mm2
7	(*)	SWITCH (OPTION)	BARTEC 07-7311-6131/EE00	
8	(*)	ISOLATING REPEATER WITH BUS TERMINATION (OPTION)	ABB BI913S	CU POINT-TO-POINT COUPLER
9				
10				
11				
12				
13				
14				
15				
16				
17				
18	1	CABLE DUCT, BLUE	Rose	62.5x62.5 mm/ length 420 mm
19				
20	1	DIN RAIL TS35	Rose	35x7,5 mm/ lenght 140 mm
21				
22	60	CABLE GLAND M16, EEx-e (**)	Caprie CMDEL-T	CABLE DIAMETER 6-11 mm
23	6	CABLE GLAND M20, EEx-e (**)	Caprie CMDEL-T	CABLE DIAMETER 8,5-13 mm
24	2	CABLE GLAND M32; EEx-e (**)	Caprie CMDEL-T	CABLE DIAMETER 17,5-25 mm
25	1	DRAIN PLUG/BREATHER M25, EEx e	Stahl 8162003020	
26				
27				
28				
29				
30				



(\*) SPECIFIC ASSEMBLY WITH POS. 5-8 SEE ORDERING MATRIX (SHEET 4-7),  
 POWER CONDITIONER IS/ARE REQUIRED ALWAYS !  
 ASSEMBLY LENGTH OF DIN RAIL IS 140 mm MAXIMUM!

(\*\*) ALL CABLE GLANDS EMV WITH SHIELD CONNECTION

# ORDERING MATRIX HOUSING FH660S/FH662S-XXXX

DIMENSIONS 600x600x300 mm (WxHxD)

## FH660S/FH662S-XXXX

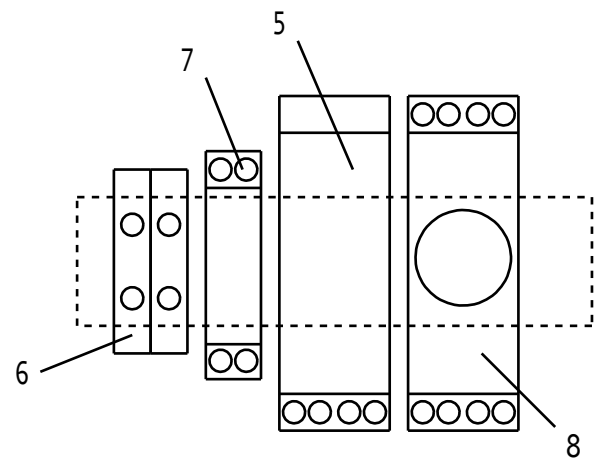
ISOLATING REPEATER OPTION (CU-COUPLER) BI913S WITH BUS TERMINATION	0= WITHOUT 1= 1 PIECE 2= 2 PIECES (FOR REDUNDANCE)
SWITCH OPTION (BARTEC 07-7311-6131/EE00)	0= WITHOUT 1= 1 PIECE 2= 2 PIECES (FOR REDUNDANCE)
POWER CONDITIONER OPTION (BP901S)	1= 1 PIECE 2= 2 PIECES (FOR REDUNDANCE)
TERMINALS OPTION (PHOENIX UK10N-Ex, max. 10mm <sup>2</sup> )	0= WITHOUT 1= 2 PIECES 2= 4 PIECES (FOR REDUNDANCE)

NOTE!  
POWER CONDITIONER IS/ARE REQUIRED ALWAYS!

FOR POSSIBLE COMBINATIONS BE SURE TO OBSERVE  
THE ASSEMBLY LENGTH OF DIN RAIL OF 140 MM MAXIMUM!

a					S900 IN FIELD HOUSING	<b>ABB</b> AUTOMATION PRODUCTS <small>Borsigstrasse 2, D - 63755 Alzenau</small>	FH660S/FH662S-XXXX  ORDERING MATRIX	A1		4	
b			DATE	13.03.2003	600x600x300 mm (WxHxD)						
c			DRAWN	Schulz							
d			COORD.								
DETAILS OF REVISION			DATE	NAME	CHECKED	ORIG.	REPL.	PROJECT S900 IN FIELD HOUSING		PURCHASE ORDER No.:	

# ASSEMBLY OF DIN RAIL TS35 NON-REDUNDANCE



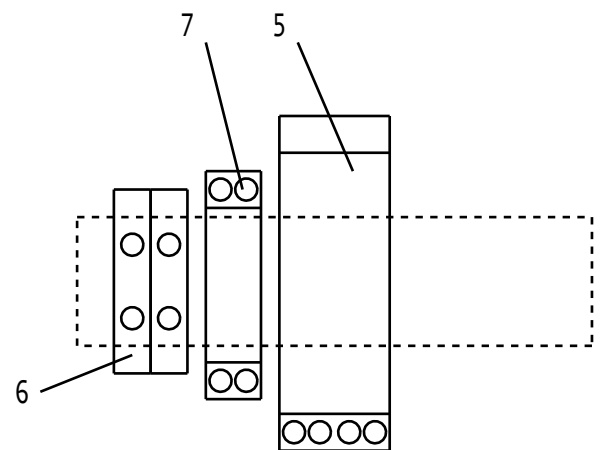
ORDER-No. FH660S/FH662S-1111:

- 2xTERMINALS (PHOENIX UK10N-Ex, max.10mm<sup>2</sup>)
- 1xPOWER CONDITIONER BP901S
- 1xSWITCH (BARTEC 07-7311-6131/EE00)
- 1xISOLATING REPEATER (CU-COUPLER) BI913S

**NOTES:**

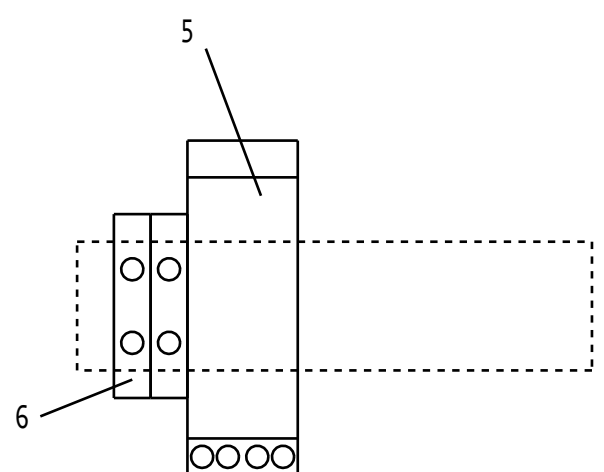
POWER CONDITIONER AND SWITCHES  
ALLOWS WIRING UP TO MAX. 2.5 mm<sup>2</sup>!  
WIRING >2.5 mm<sup>2</sup> USE REDUCER TERMINALS!

FOR POSSIBLE COMBINATIONS BE SURE  
TO OBSERVE THE ASSEMBLY LENGTH OF  
DIN RAIL OF 140 MM MAXIMUM!



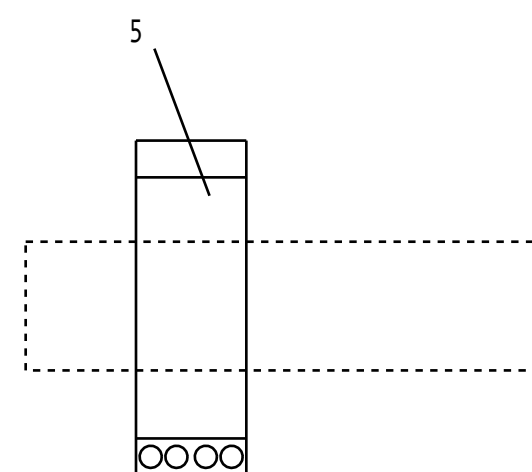
ORDER-No. FH660S/FH662S-1110:

- 2xTERMINALS (z.B. PHOENIX UK10N-Ex, max.10mm<sup>2</sup>)
- 1xPOWER CONDITIONER BP901S
- 1xSWITCH (BARTEC 07-7311-6131/EE00)



ORDER-No. FH660S/FH662S-1100:

- 2xTERMINALS (PHOENIX UK10N-Ex, max.10mm<sup>2</sup>)
- 1xPOWER CONDITIONER BP901S

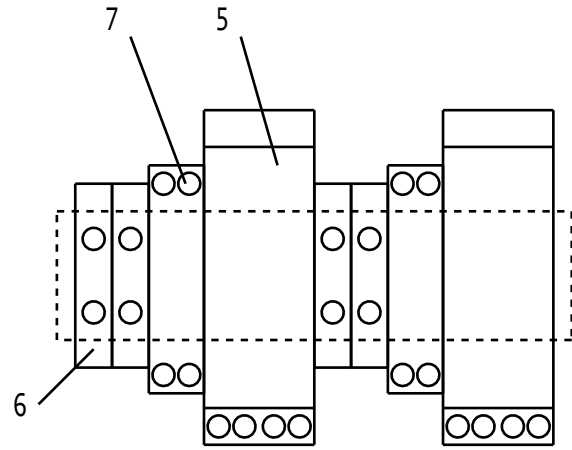


ORDER-No. FH660S/FH662S-0100:

- 1xPOWER CONDITIONER BP901S

F	a				S900 IN FIELD HOUSING	<b>ABB</b> AUTOMATION PRODUCTS	FH660S/FH662S-XXXX				
	b		DATE	13.03.2003	600x600x300 mm (WxHxD)			Borsigstrasse 2, D - 63755 Alzenau	ASSEMBLY POSSIBILITIES	A1	5
	c		DRAWN	Schulz							
	d		COORD.								
	DETAILS OF REVISION		DATE	NAME	CHECKED	ORIG.	REPL.	PROJECT		PURCHASE ORDER No.:	
								S900 IN FIELD HOUSING			

# ASSEMBLY OF DIN RAIL TS35 REDUNDANCE



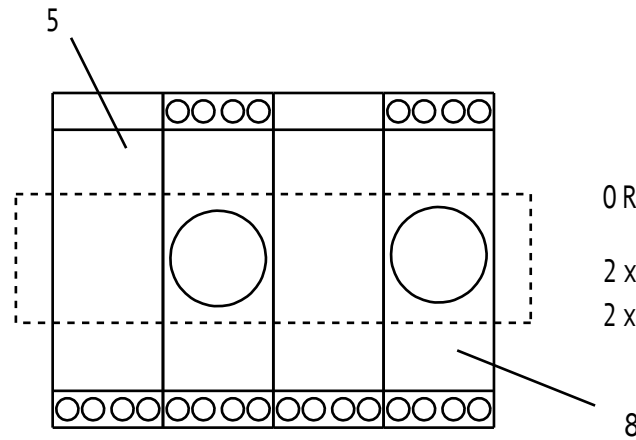
ORDER-No. FH660S/FH662S-2220:

- 4xTERMINALS (PHOENIX UK10N-Ex, max.10mm<sup>2</sup>)
- 2xPOWER CONDITIONER BP901S
- 2xSWITCHES (BARTEC 07-7311-6131/EE00)

## NOTES:

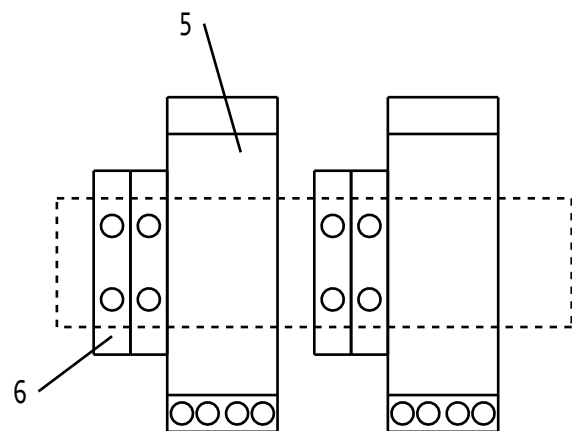
POWER CONDITIONER AND SWITCHES  
ALLOWS WIRING UP TO MAX. 2.5 mm<sup>2</sup>!  
WIRING >2.5 mm<sup>2</sup> USE REDUCER TERMINALS!

FOR POSSIBLE COMBINATIONS BE SURE  
TO OBSERVE THE ASSEMBLY LENGTH OF  
DIN RAIL OF 140 MM MAXIMUM!



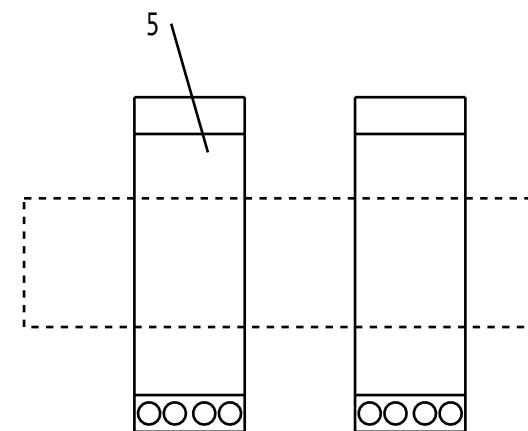
ORDER-No. FH660S/FH662S-0202:

- 2xPOWER CONDITIONER BP901S
- 2xISOLATING REPEATER (CU-COUPLER) BI913S



ORDER-No. FH660S/FH662S-2200:

- 4xTERMINALS (PHOENIX UK10N-Ex, max.10mm<sup>2</sup>)
- 2xPOWER CONDITIONER BP901S

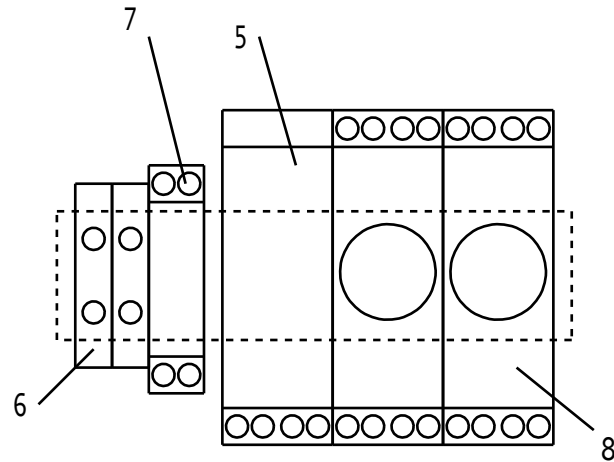


ORDER-No. FH660S/FH662S-0200:

- 2xPOWER CONDITIONER BP901S

F	a				S900 IN FIELD HOUSING	<b>ABB</b> AUTOMATION PRODUCTS	FH660S/FH662S-XXXX	A1	6
	b			DATE	13.03.2003				
	c			DRAWN	Schulz				
	d			COORD.					
	DETAILS OF REVISION	DATE	NAME	CHECKED	ORIG.	REPL.	ASSEMBLY POSSIBILITIES	PROJECT	PURCHASE ORDER No.:
								S900 IN FIELD HOUSING	
						© COPYRIGHT BY ABB AUTOMATION PRODUCTS			

# ASSEMBLY OF DIN RAIL TS35 MIXED

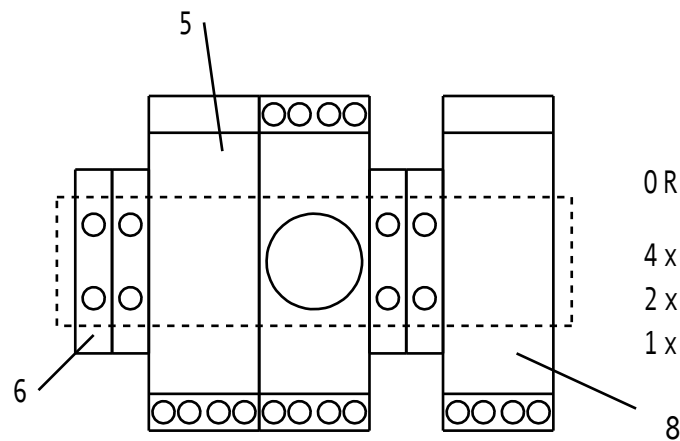


ORDER-No. FH660S/FH662S-1112:

- 2xTERMINALS (PHOENIX UK10N-Ex, max.10mm<sup>2</sup>)
- 1xPOWER CONDITIONER BP901S
- 1xSWITCH (BARTEC 07-7311-6131/EE00)
- 2xISOLATING REPEATER (CU-COUPLER) BI913S

### NOTES:

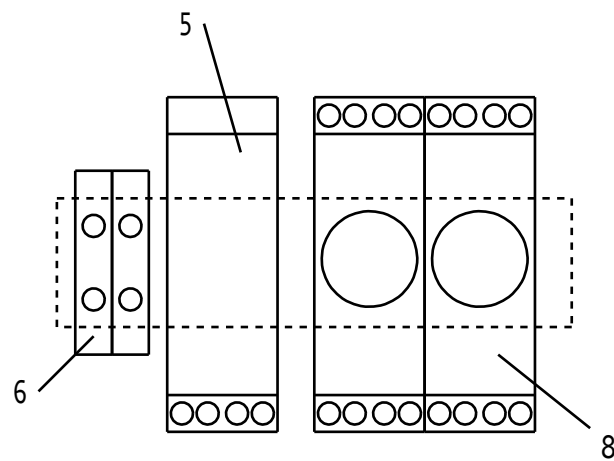
POWER CONDITIONER AND SWITCHES  
ALLOWS WIRING UP TO MAX. 2.5 mm<sup>2</sup>!  
WIRING >2.5 mm<sup>2</sup> USE REDUCER TERMINALS!



ORDER-No. FH660S/FH662S-2201:

- 4xTERMINALS (PHOENIX UK10N-Ex, max.10mm<sup>2</sup>)
- 2xPOWER CONDITIONER BP901S
- 1xISOLATING REPEATER (CU-COUPLER) BI913S

FOR POSSIBLE COMBINATIONS BE SURE  
TO OBSERVE THE ASSEMBLY LENGTH OF  
DIN RAIL OF 140 MM MAXIMUM!



ORDER-No. FH660S/FH662S-1102:

- 2xTERMINALS (PHOENIX UK10N-Ex, max.10mm<sup>2</sup>)
- 1xPOWER CONDITIONER BP901S
- 2xISOLATING REPEATER (CU-COUPLER) BI913S

F	a					S900 IN FIELD HOUSING	<b>ABB</b> AUTOMATION PRODUCTS	FH660S-XXXX		A1		7	
	b			DATE	20.02.2003	600x600x300 mm (WxHxD)							
	c			DRAWN	Schulz								
	d			COORD.									
DETAILS OF REVISION		DATE	NAME	CHECKED		ORIG.	REPL.	© COPYRIGHT BY ABB AUTOMATION PRODUCTS	ASSEMBLY POSSIBILITIES	PROJECT	PURCHASE ORDER No.:		
										S900 IN FIELD HOUSING			



AUTOMATION PRODUCTS

# S900 IN FIELD HOUSING FH660S/FH662S CIRCUIT DIAGRAMS

**CABLE COLOURS**

24 V/DC EEx-e                    red  
 0 V/DC EEx-e                    blue  
 POTENTIAL 24V/DC FIELD:      grey  
 POTENTIAL 0V/DC FIELD:       grey

**TERMINALS**

X01:                    SUPPLY VOLTAGE 24 V/DC EEx-e  
 X04:                    POTENTIAL 24 V/DC FIELD-INPUT  
 X05:                    POTENTIAL 24 V/DC FIELD-OUTPUT

**CABLE DIAMETER IN FIELD HOUSING**

24 V/DC EEx-e                    2.5 mm<sup>2</sup>  
 0 V/DC EEx-e                    2.5 mm<sup>2</sup>  
 POTENTIAL 24V/DC FIELD:      1.5 mm<sup>2</sup>  
 POTENTIAL 0V/DC FIELD:       1.5 mm<sup>2</sup>

**CABLE DIAMETER EXTERNAL**

24 V/DC EEx-e (TERMINALS/DIRECTLY)      max. 10.0/2.5 mm<sup>2</sup>  
 0 V/DC EEx-e (TERMINALS/DIRECTLY)      max. 10.0/2.5 mm<sup>2</sup>  
 POTENTIAL 24V/DC FIELD:                    max. 2.5 mm<sup>2</sup>  
 POTENTIAL 0V/DC FIELD:                    max. 2.5 mm<sup>2</sup>

**No. INSIDE HOUSING  
EXAMPLE**

1 F 2



CROSS SECTION (SEE TOP OF PAGES)  
 TYPE OF DEVICE  
 PAGE No.

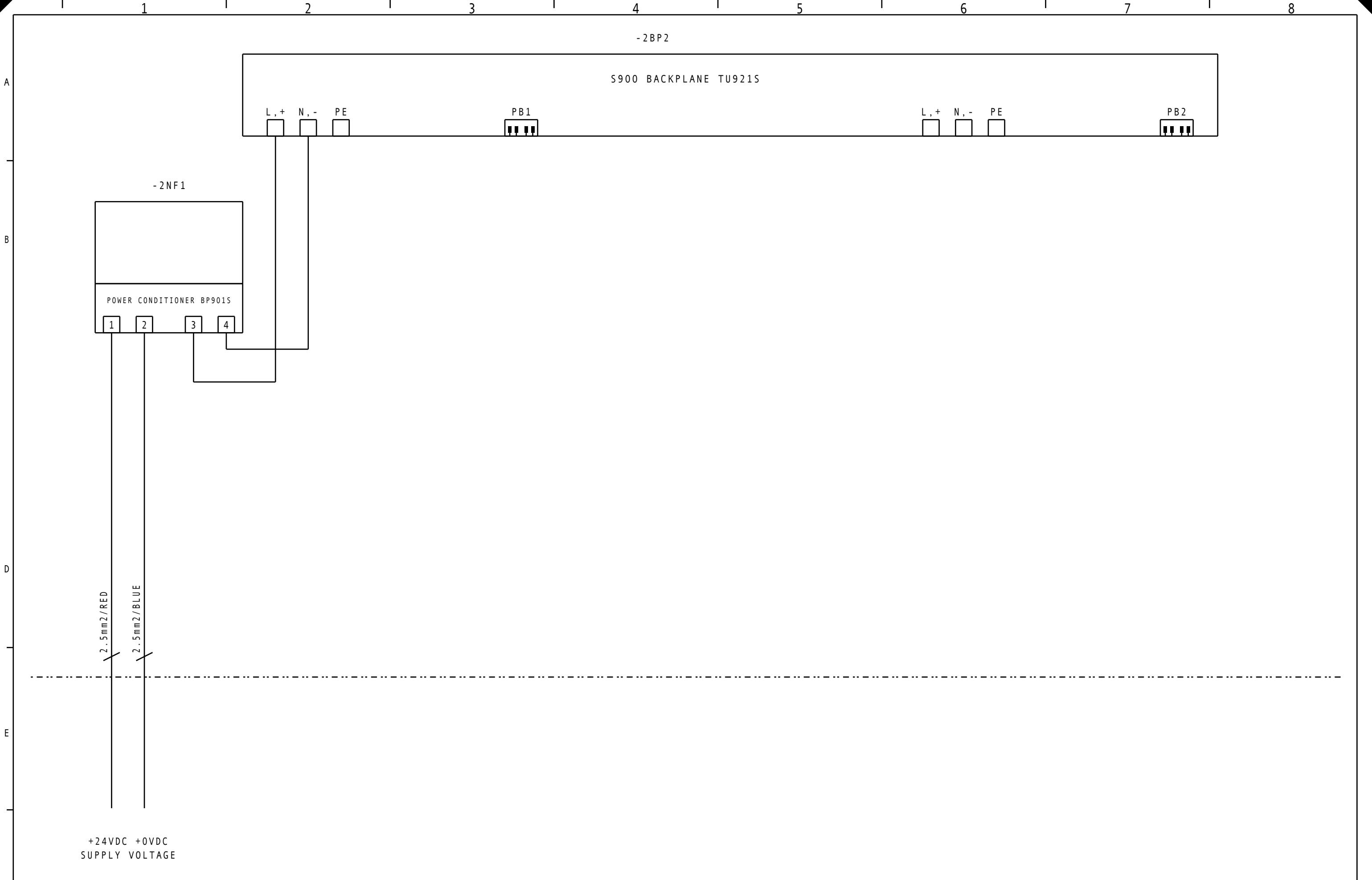
Copyright by ABB AUTOMATION PRODUCTS

Achtung:  
 Diese Technische Dokumentation ist urheberrechtlich geschützt. Die Übersetzung, sowie die Vervielfältigung und Verbreitung in jeglicher Form - auch als Bearbeitung oder in Auszügen - insbesondere als Nachdruck, photomechanische oder elektronische Wiedergabe oder in Form von Speicherung in Datenverarbeitungsanlagen oder Datennetzen ohne Genehmigung des Rechteinhabers sind untersagt und werden

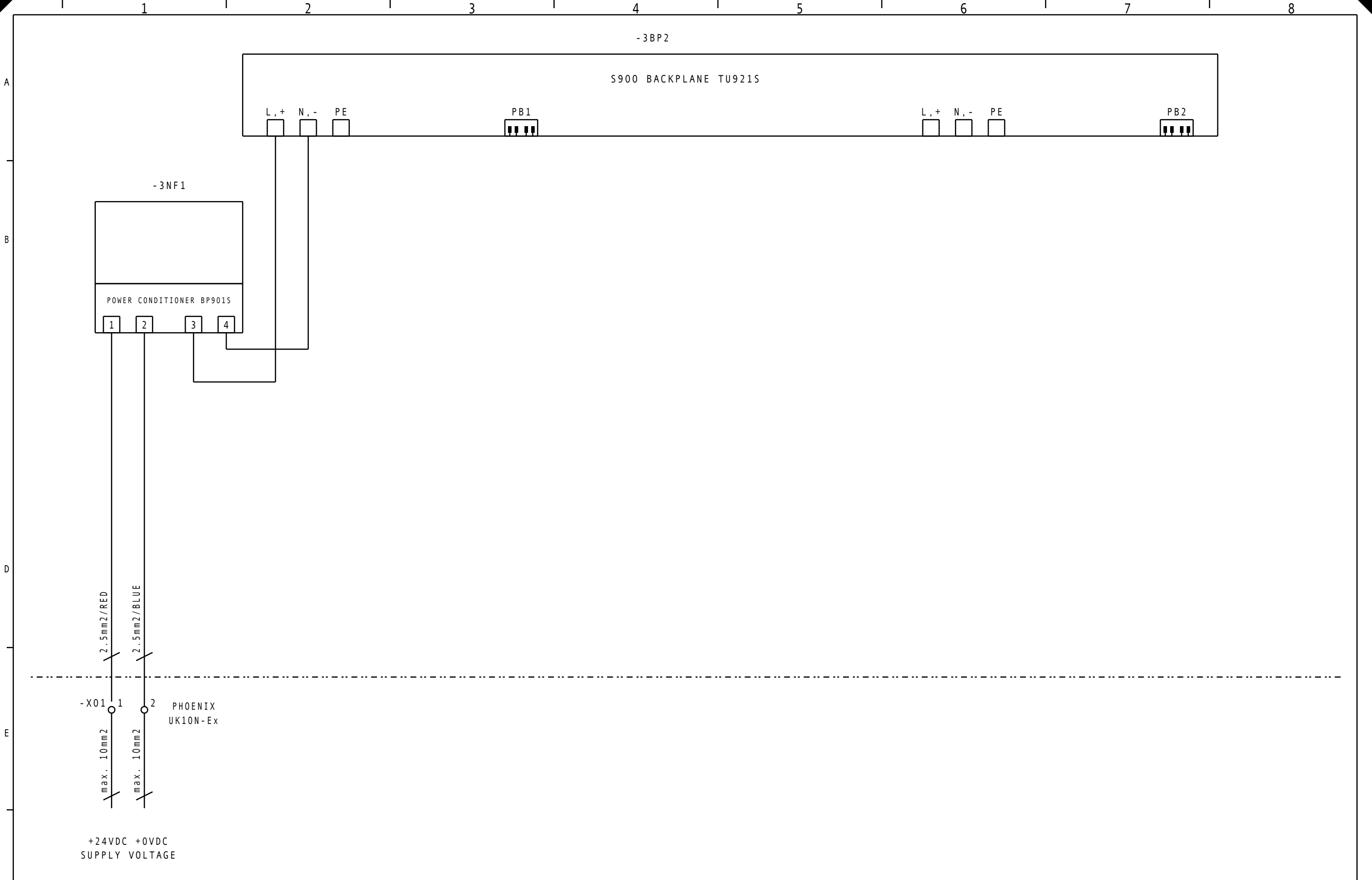
Copyright by ABB AUTOMATION PRODUCTS

Attention:  
 This technical documentation is protected by copyright. Translating, photocopying and disseminating it in any form whatsoever - even editings or excerpts thereof - especially as reprint, photomechanical or electronic reproduction or storage on data processing systems or networks is not allowed without the permission of the copyright owner and non-compliance will lead to both civil and criminal prosecution.

F	a				S900 IN FIELD HOUSING 600x600x300 mm (WxHxD)	AUTOMATION PRODUCTS Borsigstrasse 2, D - 63755 Alzenau	COVER SHEET FH660S/FH662S-XXXX	PROJECT S900 IN FIELD HOUSING	A2	1
	b		DATE	13.03.2003						
	c		DRAWN	Schulz						
	d		COORD.							
	DETAILS OF REVISION	DATE	NAME	CHECKED	ORIG.	REPL.	© COPYRIGHT BY ABB AUTOMATION PRODUCTS			



F	a				S900 IN FIELD HOUSING	<b>ABB</b> AUTOMATION PRODUCTS	FH660S/FH662S-0100	A2	2
	b		DATE	13.03.2003	600x600x300 mm (WxHxD)				
	c		DRAWN	Schulz					
	d		COORD.						
	DETAILS OF REVISION		DATE	NAME	CHECKED	ORIG.	REPL.	PROJECT	PURCHASE ORDER No.:
								S900 IN FIELD HOUSING	
	© COPYRIGHT BY ABB AUTOMATION PRODUCTS								



F	a				S900 IN FIELD HOUSING	<b>ABB</b> AUTOMATION PRODUCTS	FH660S/FH662S-1100		A2	3
	b		DATE	13.03.2003	600x600x300 mm (WxHxD)					
	c		DRAWN	Schulz		Borsigstrasse 2, D - 63755 Alzenau				
	d		COORD.					PROJECT	PURCHASE ORDER No.:	
	DETAILS OF REVISION		DATE	NAME	CHECKED	ORIG.	REPL.	S900 IN FIELD HOUSING		
						© COPYRIGHT BY ABB AUTOMATION PRODUCTS				

1 2 3 4 5 6 7 8

A

B

D

E

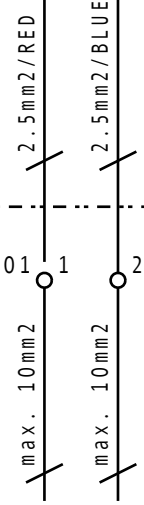
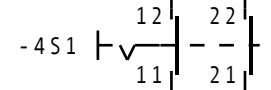
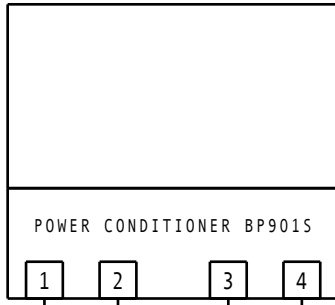
F

-4BP2

S900 BACKPLANE TU9215



-4NF1

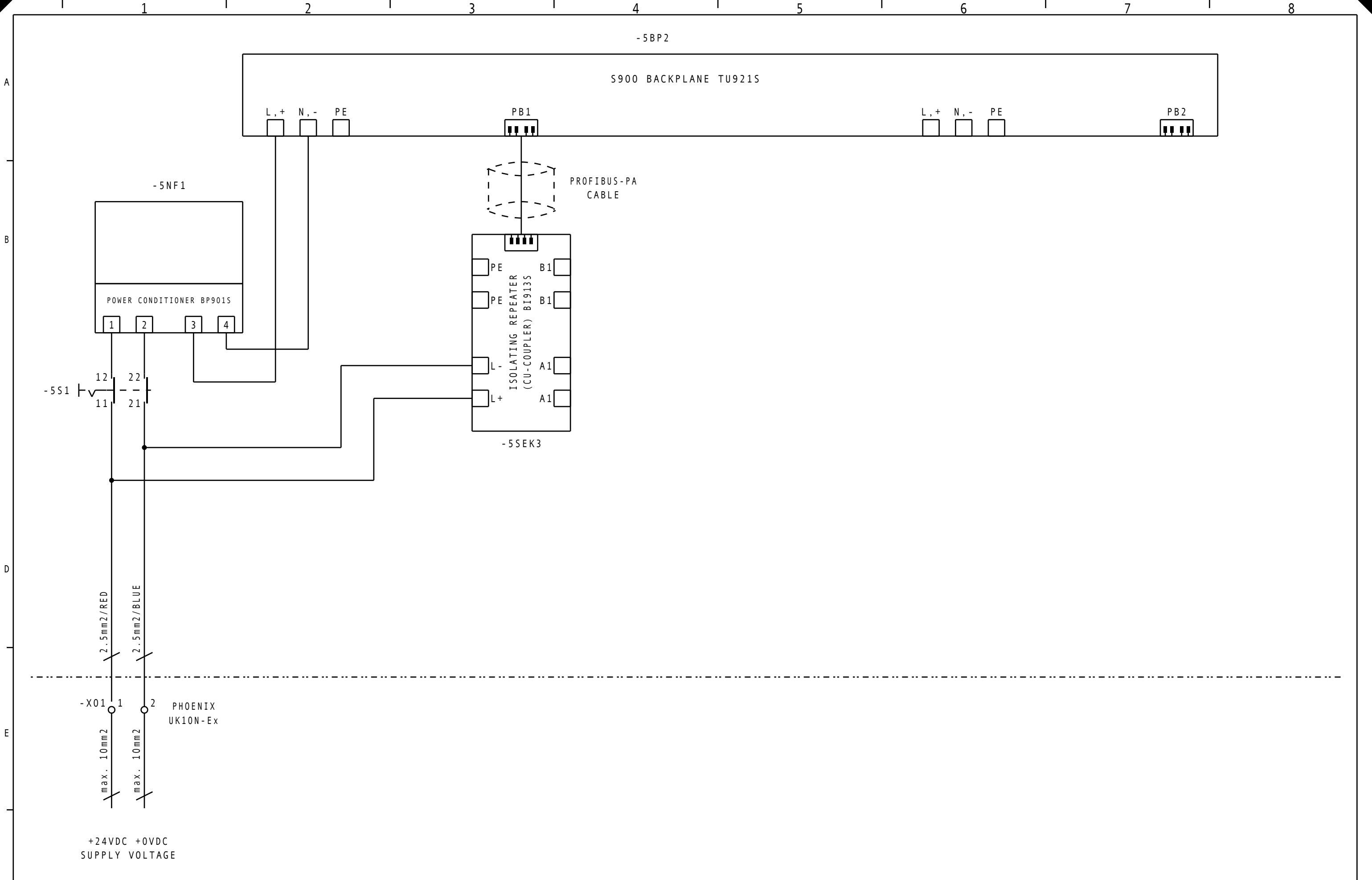


-X01 1 2 PHOENIX UK10N-Ex

+24VDC +0VDC  
SUPPLY VOLTAGE

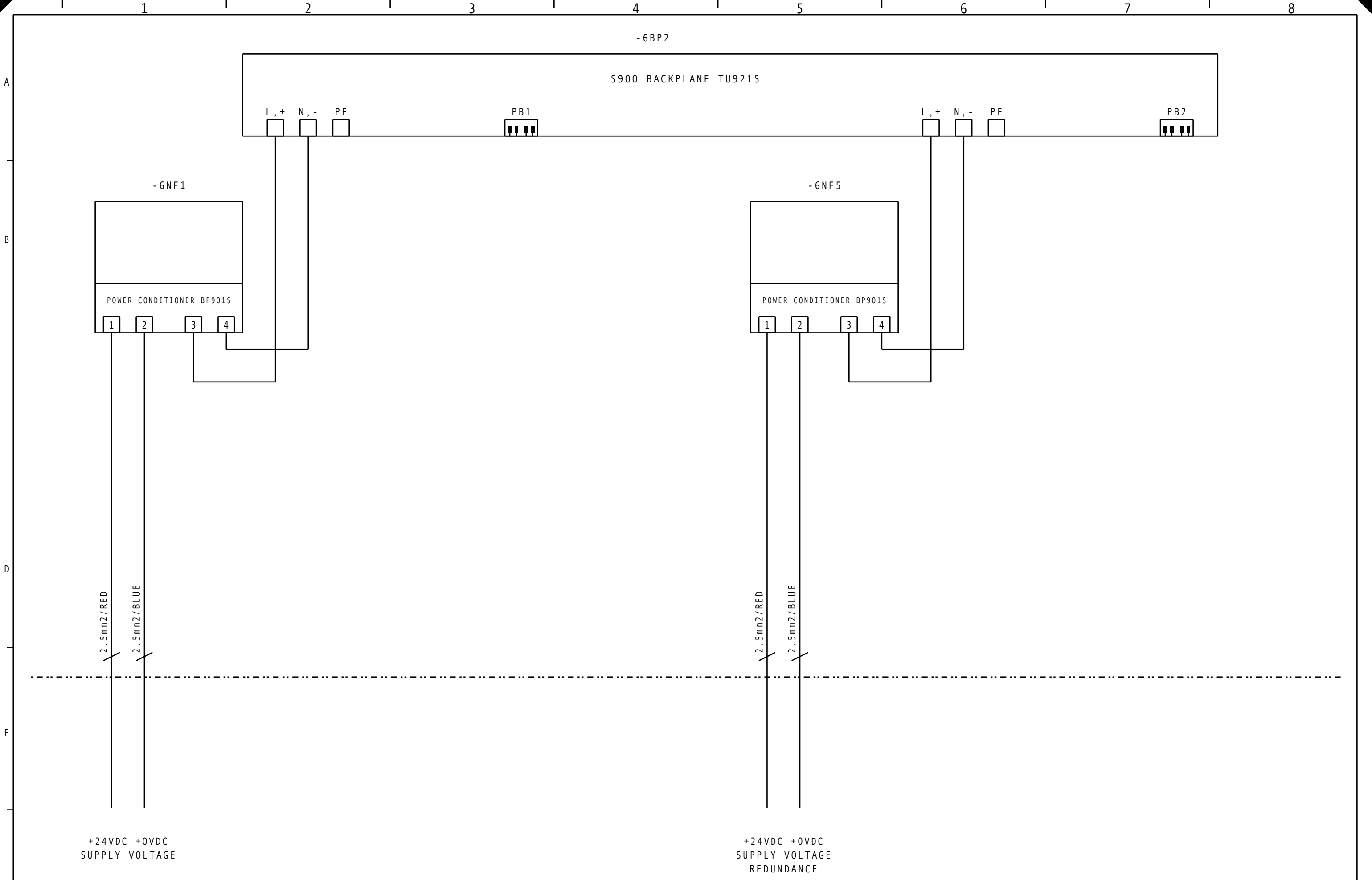
a					S900 IN FIELD HOUSING	<b>ABB</b> AUTOMATION PRODUCTS Borsigstrasse 2, D - 63755 Alzenau	FH6605/FH662S-1110	PROJECT S900 IN FIELD HOUSING	A2		4
b			DATE	13.03.2003							
c			DRAWN	Schulz							
d			COORD.								
DETAILS OF REVISION		DATE	NAME	CHECKED	ORIG.	REPL.	PURCHASE ORDER No.:				

© COPYRIGHT BY ABB AUTOMATION PRODUCTS

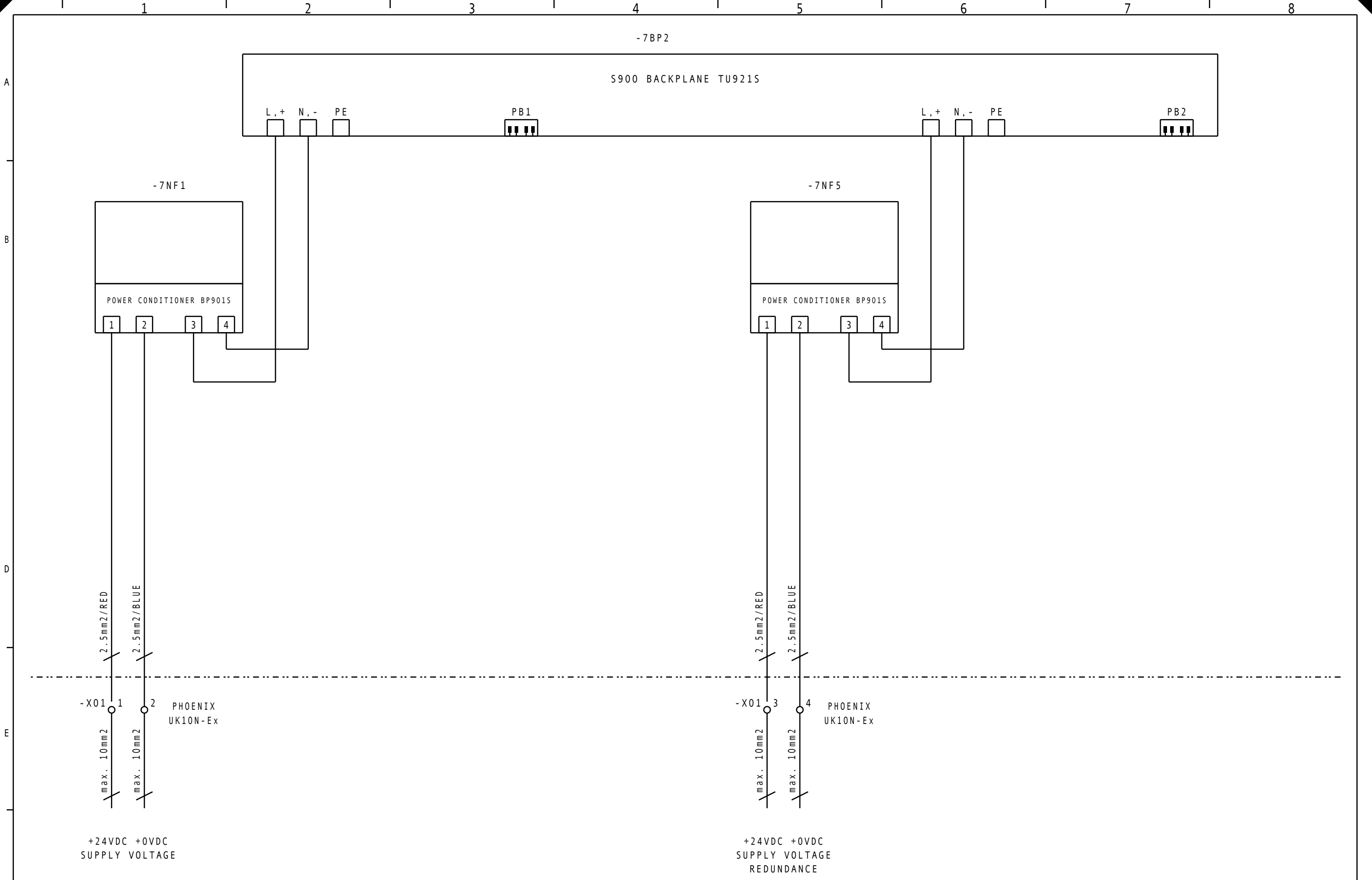


F	a				S900 IN FIELD HOUSING 600x600x300 mm (WxHxD)	<b>ABB</b> AUTOMATION PRODUCTS Borsigstrasse 2, D - 63755 Alzenau	FH660S/FH662S-1111	PROJECT S900 IN FIELD HOUSING	A2		5
	b		DATE	13.03.2003							
	c		DRAWN	Schulz							
	d		COORD.								
	DETAILS OF REVISION	DATE	NAME	CHECKED	ORIG.	REPL.					

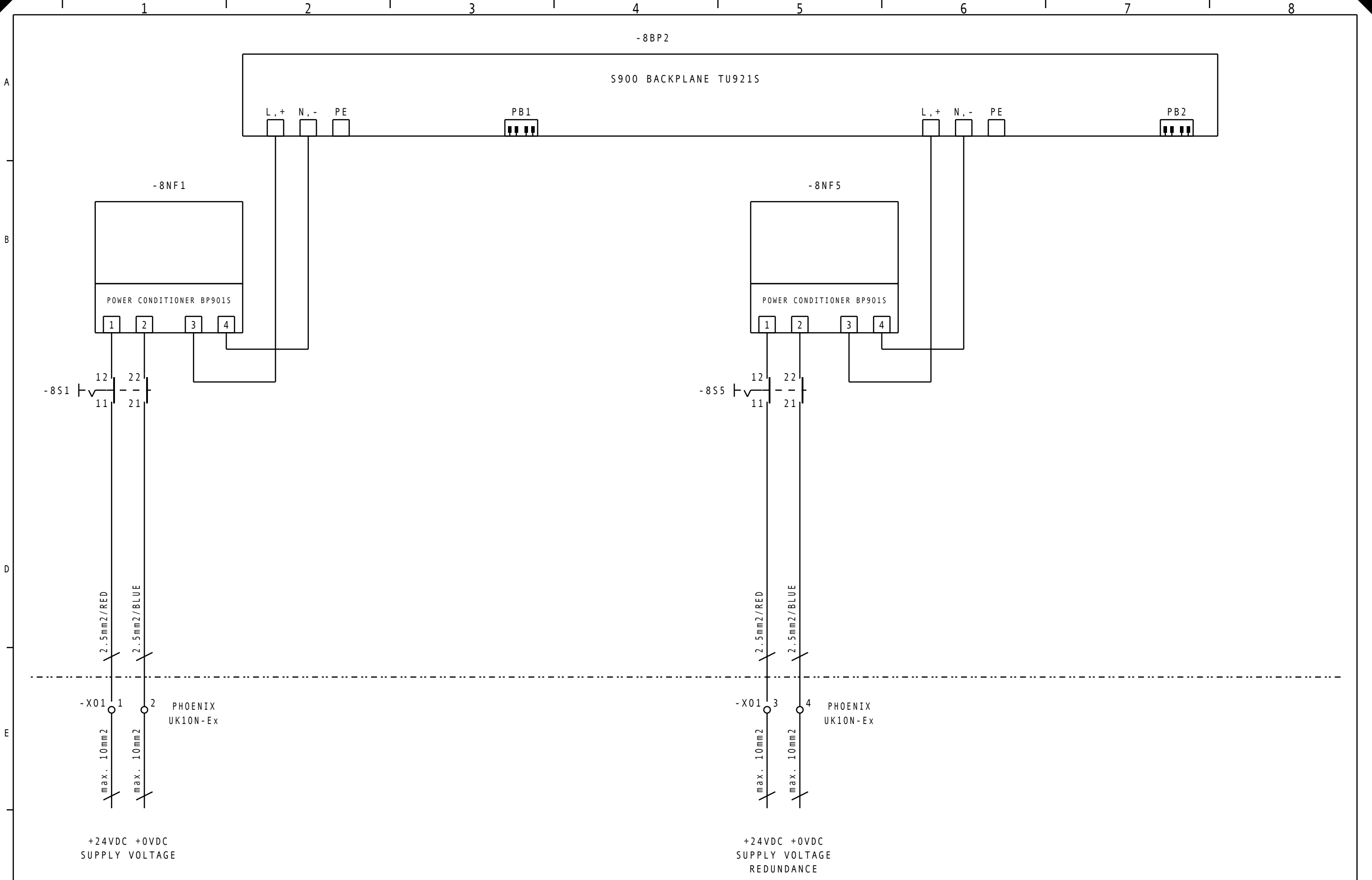
© COPYRIGHT BY ABB AUTOMATION PRODUCTS



F	a				S900 IN FIELD HOUSING	<b>ABB</b> AUTOMATION PRODUCTS	FH660S/FH662S-0200	A2		6
	b		DATE	13.03.2003	600x600x300 mm (WxHxD)	Borsigstrasse 2, D - 63755 Alzenau				
	c		DRAWN	Schulz						
	d		COORD.							
	DETAILS OF REVISION		DATE	NAME	CHECKED	ORIG.	REPL.	PROJECT	PURCHASE ORDER No.:	
								S900 IN FIELD HOUSING		
© COPYRIGHT BY ABB AUTOMATION PRODUCTS										

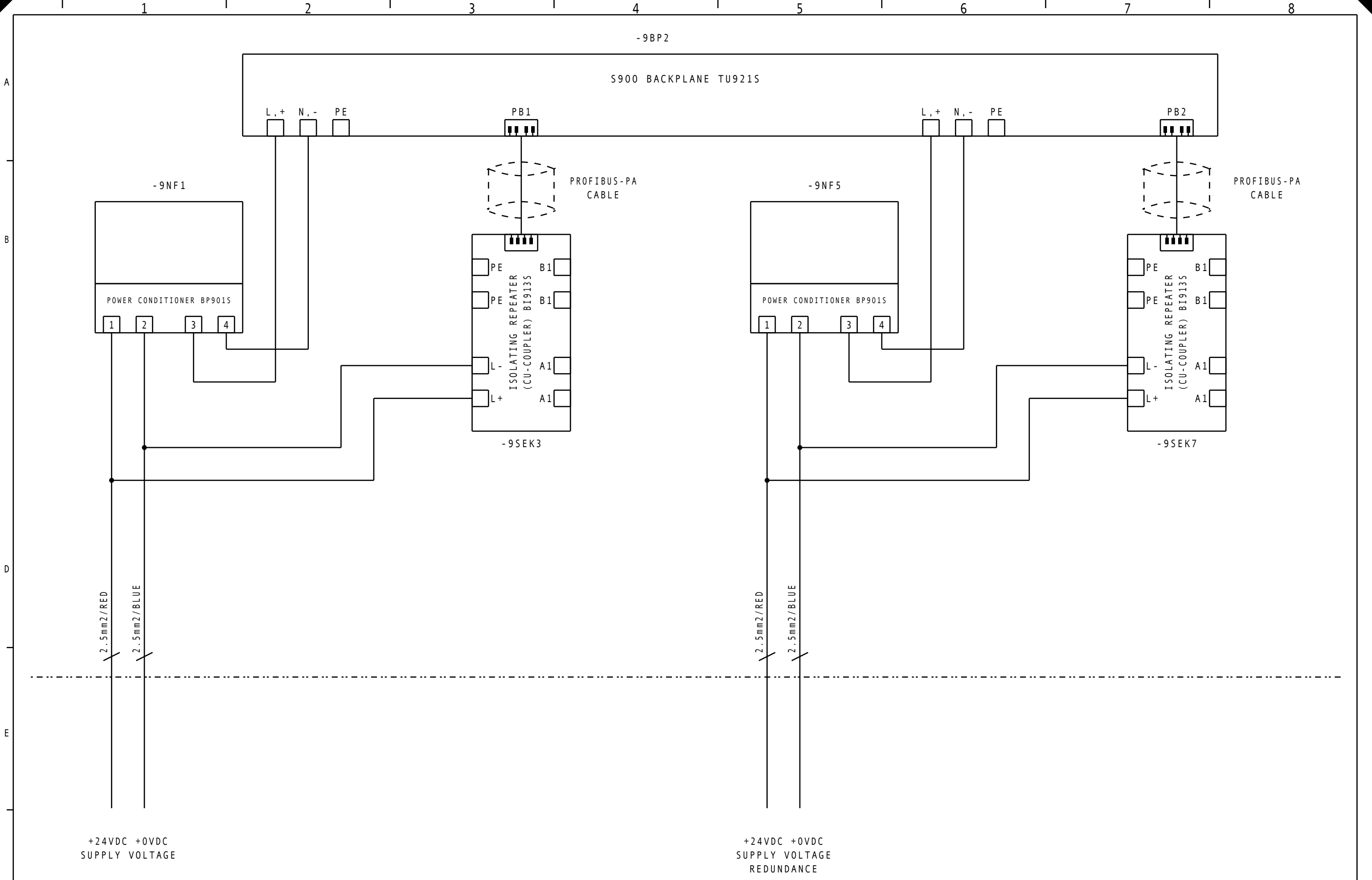


F	a				S900 IN FIELD HOUSING	<b>ABB</b> AUTOMATION PRODUCTS	FH660S/FH662S-2200	A2		7	
	b		DATE	13.03.2003	600x600x300 mm (WxHxD)						
	c		DRAWN	Schulz							
	d		COORD.								
	DETAILS OF REVISION		DATE	NAME	CHECKED	ORIG.	REPL.	PROJECT	PURCHASE ORDER No.:		
								S900 IN FIELD HOUSING			
	© COPYRIGHT BY ABB AUTOMATION PRODUCTS										

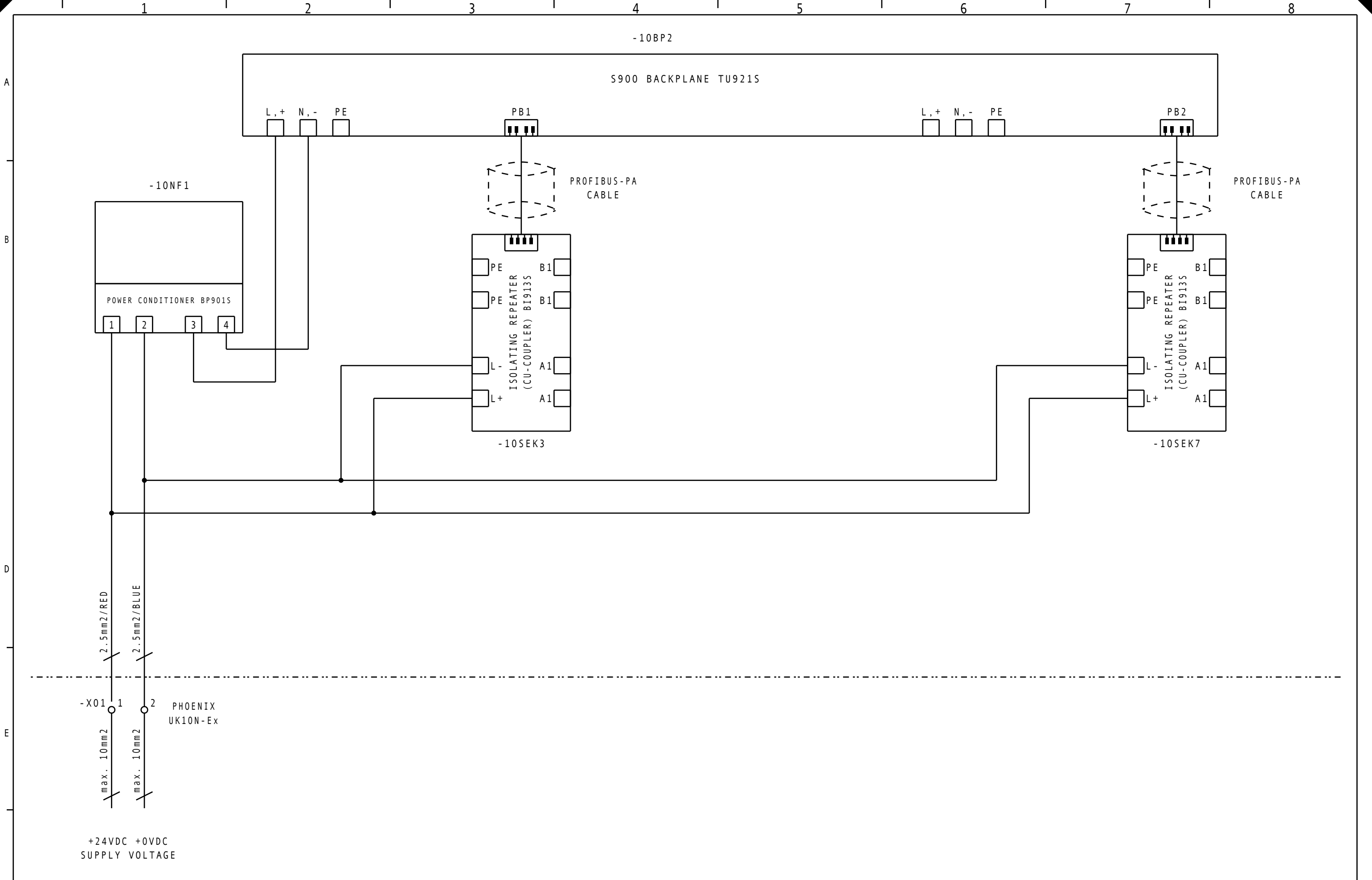


F	a				S900 IN FIELD HOUSING 600x600x300 mm (WxHxD)	<b>ABB</b> AUTOMATION PRODUCTS Borsigstrasse 2, D - 63755 Alzenau	FH660S/FH662S-2220	PROJECT S900 IN FIELD HOUSING	A2	8
	b			DATE					13.03.2003	
	c			DRAWN					Schulz	
	d			COORD.						
	DETAILS OF REVISION	DATE	NAME	CHECKED	ORIG.	REPL.		PURCHASE ORDER No.:		

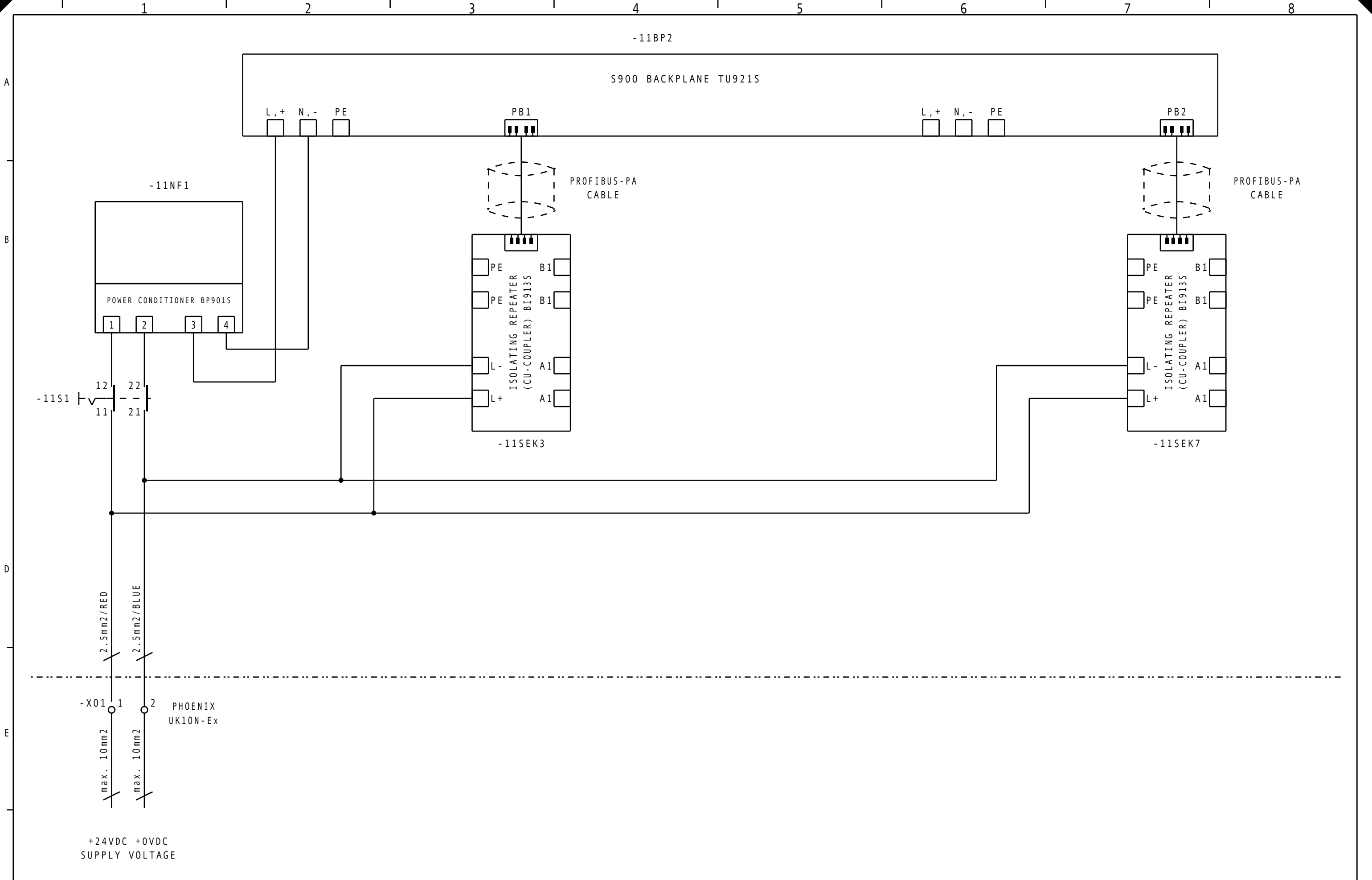
© COPYRIGHT BY ABB AUTOMATION PRODUCTS



F	a				S900 IN FIELD HOUSING	<b>ABB</b> AUTOMATION PRODUCTS	FH660S/FH662S-0202	A2	9
	b		DATE	13.03.2003	600x600x300 mm (WxHxD)				
	c		DRAWN	Schulz					
	d		COORD.						
	DETAILS OF REVISION		DATE	NAME	CHECKED	ORIG.	REPL.	PROJECT	PURCHASE ORDER No.:
								S900 IN FIELD HOUSING	
	© COPYRIGHT BY ABB AUTOMATION PRODUCTS								

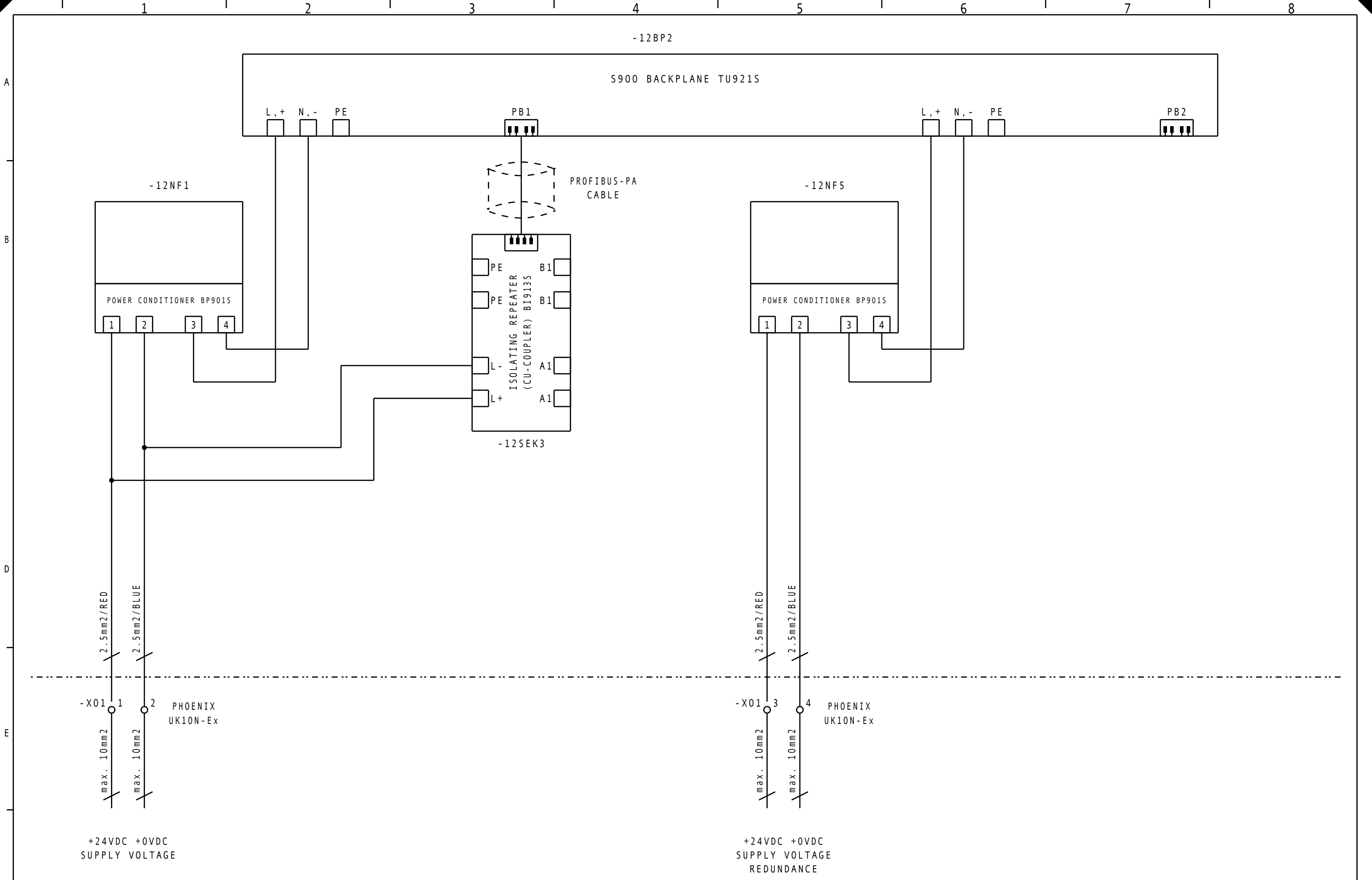


F	a				S900 IN FIELD HOUSING 600x600x300 mm (WxHxD)	<b>ABB</b> AUTOMATION PRODUCTS Borsigstrasse 2, D - 63755 Alzenau	FH660S/FH662S-1102	PROJECT S900 IN FIELD HOUSING	A2	10
	b			DATE					13.03.2003	
	c			DRAWN					Schulz	
	d			COORD.						
	DETAILS OF REVISION	DATE	NAME	CHECKED	ORIG.	REPL.		PURCHASE ORDER No.:		



a					S900 IN FIELD HOUSING	<b>ABB</b> AUTOMATION PRODUCTS Borsigstrasse 2, D - 63755 Alzenau	FH660S/FH662S-1112	PROJECT S900 IN FIELD HOUSING	A2	11
b			DATE	13.03.2003						
c			DRAWN	Schulz						
d			COORD.							
DETAILS OF REVISION		DATE	NAME	CHECKED	ORIG.	REPL.		PURCHASE ORDER No.:		

© COPYRIGHT BY ABB AUTOMATION PRODUCTS



a					S900 IN FIELD HOUSING	<b>ABB</b> AUTOMATION PRODUCTS Borsigstrasse 2, D - 63755 Alzenau © COPYRIGHT BY ABB AUTOMATION PRODUCTS	FH660S/FH662S-2201	PROJECT S900 IN FIELD HOUSING	A2	12
b			DATE	13.03.2003						
c			DRAWN	Schulz						
d			COORD.							
DETAILS OF REVISION		DATE	NAME	CHECKED	ORIG.	REPL.		PURCHASE ORDER No.:		



Printed in Germany  
Copyright © 2003 by ABB. All Rights Reserved  
® Registered Trademark of ABB.  
™ Trademark of ABB.

<http://www.abb.com>

ABB Automation Products GmbH  
Borsigstrasse 2, D-63755 Alzenau  
Phone +49(0)6023 92-0, Fax +49(0)6023 92-3430