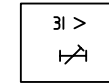
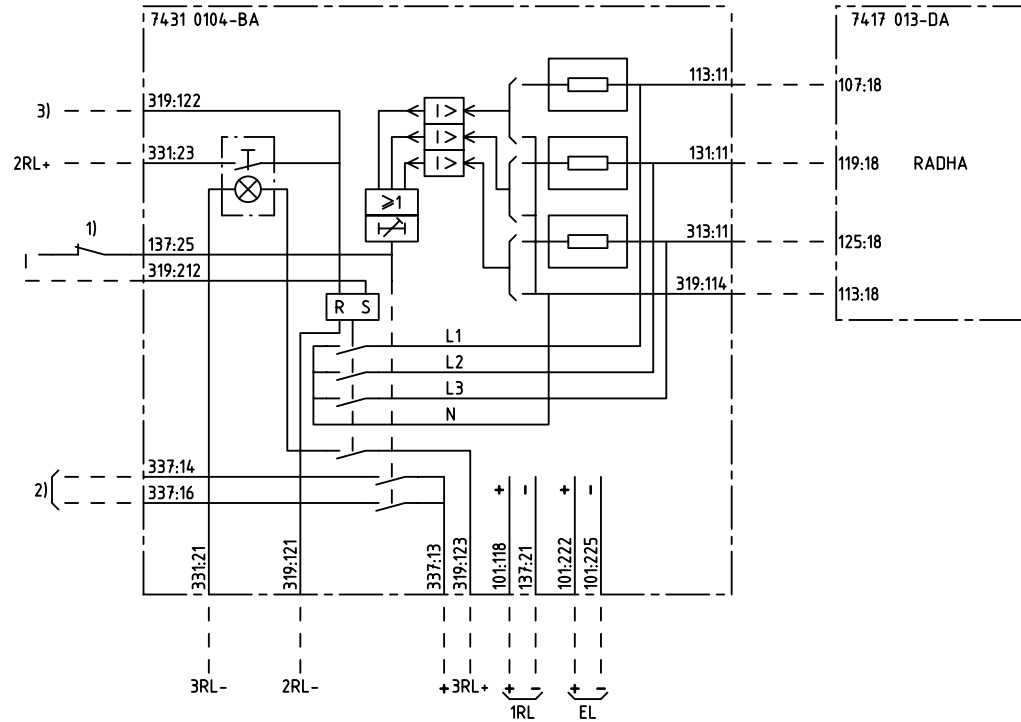


We reserve all rights in this document and in the information contained therein. Reproduction, use for other than intended purposes, without the written consent of ABB Automation Technologies AB is strictly forbidden.



BUSBAR DIFFERENTIAL RELAY, RADHA
OPEN CT SUPERVISION UNIT

ENHET FÖR ÖVERVAKNING AV ÖPPEN
STRÖMKRETS FÖR
SAMLINGSSKENESKYDD RADHA

42C

101	113	119	131	137
301	313	319	331	337

4U

101,119,301	RXIG 28
113,131,313	RXTMA 1
319	RXMVB 2
331	RXTNT 11
137	RXKL 1
337	RXSF 1

1) BUS PROTECTION RADHA
TEST SWITCH
PROVDON I SAMLINGSSKENE-
SKYDD RADHA

2) ALARM ETC.
SIGNAL M.M.

3) EXTERNAL RESET OF
LOCK-OUT
EXTERN ÅTERSTÄLLNING
AV BLOCKERING

Customer drw no	Prep. PTUA/ TPTD Eriksson Jill 2002-01-15	Connection Diagram		Conf. sh/ No of sh	
	Appr. PTUA/ SA/ATD Jonsson Patrik 2002-01-15	Supervision unit			
Based on	Resp. dept PTUA/ TPTD	Document number	Lang.	Rev.	Sheet
		ABB ABB Automation Technologies	74310104-BAA	82	B

Document status: Approved