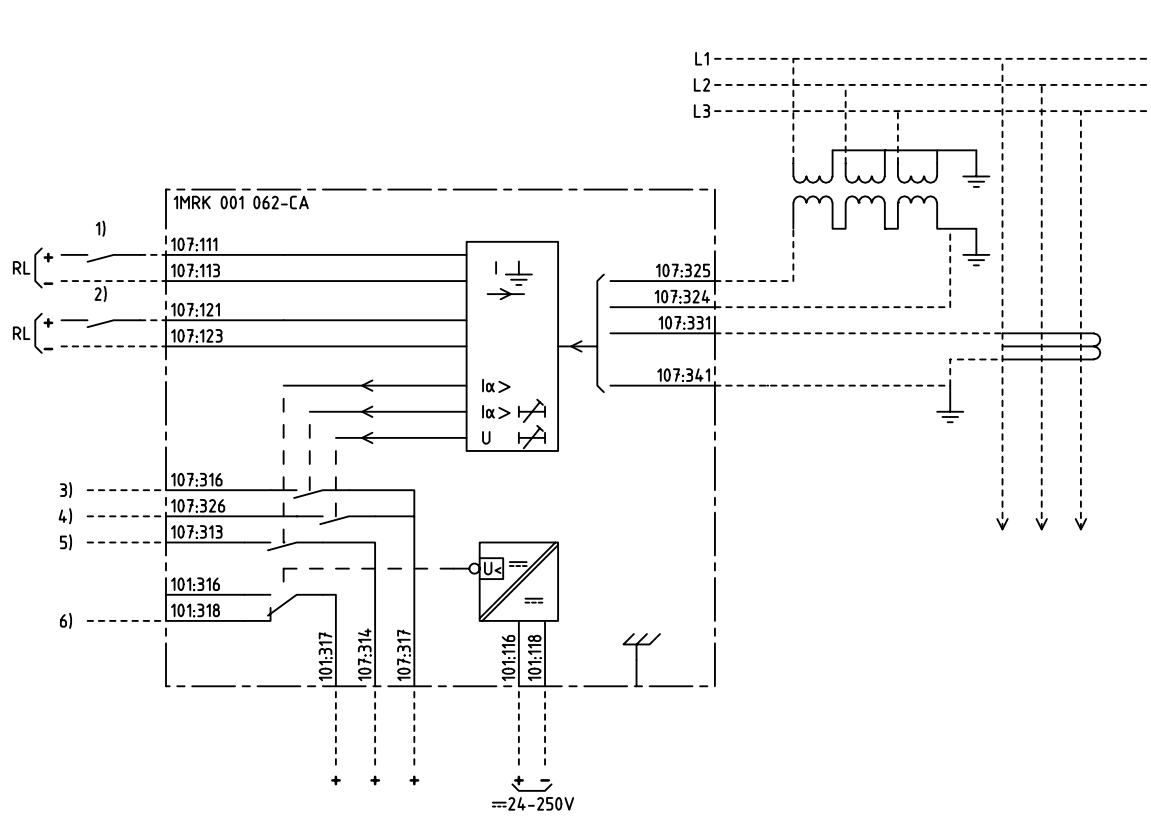
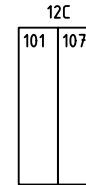


We reserve all rights in this document and in the information contained therein. Reproduction, use for other than intended purposes, without the written consent of ABB Network Partner AB is strictly forbidden.



DIRECTIONAL EARTH FAULT
PROTECTION, DELAYED
RIKTAT JORDFELSSKYDD, FÖRDRÖJT



4U

101 RXTUG 22H
107 RXPDK 22H

- 1) CHANGING OF CHARACTERISTIC ANGLE α
0° TO -90° OR -90° TO 0°
ÄNDRING AV KARAKTERISTISK VINKEL α
0° TILL -90° OR -90° TILL 0°
- 2) RESETTING OF INDICATION
ÅTERSTÄLLNING AV INDIKERING
- 3) EARTH FAULT CURRENT, TRIPPING
JORDFELSSSTRÖM, UTLÖSNING
- 4) NEUTRAL POINT VOLTAGE, TRIPPING
NOLLPUNKTSSPÄNNING, UTLÖSNING
- 5) EARTH FAULT CURRENT, START
JORDFELSSSTRÖM, START
- 6) LOSS OF AUXILIARY VOLTAGE
BORTFALL AV HJÄLPSPÄNNING

ELCAD ID PS/render

DATE 2004-06-231:57

Issued in ARCADE

Prepared 97-01-28 H RAZA/JE		TERMINAL DIAGRAM/UTTAGSSCHEMA		Resp dep PS		Rev ind 1 98-07-02		Lang 82	
Approved 97-03-07 P JENÄKER		RAPDK 221 DIR. EARTH-FAULT PROTECTION		Resp dep PS		Rev ind 1 98-07-02		Lang 82	
Rev Ind Revision		Reg No 7411		Resp dep PS		Rev ind 1 98-07-02		Lang 82	
Based on		Pcl 890.512		Resp dep PS		Rev ind 1 98-07-02		Lang 82	
				ABB ABB Network Partner AB		1MRK 001 062-CAA		Sheet 1	
								Cont	