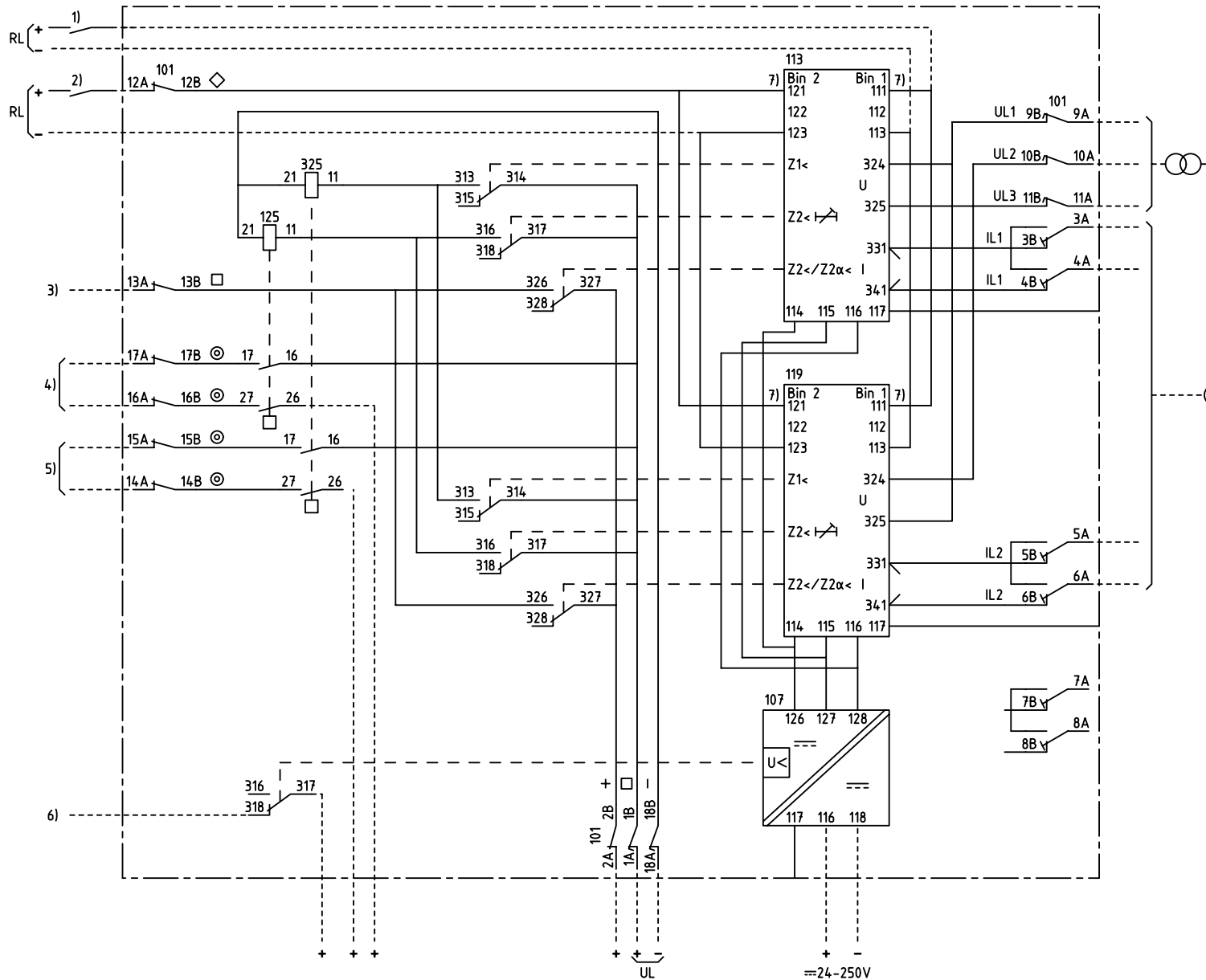


We reserve all rights in this document and in the information contained therein. Reproduction, use for other than intended purposes, or distribution without the written permission of ABB Automation Technologies AB is strictly forbidden.



$Z2 <$   
  
 $Z2 < / Z2\alpha <$

2-PH UNDERIMPEDANCE PROTECTION DELAYED

30C				
101	107	113	119	125
				4U

101	RTXP	18
107	RXTUG	22H
113,119	RXZK	22H
125,325	RXME	18

- 1) BLOCKING OF ALL THE FUNCTIONS EXCEPT  $Z2\alpha <$ , FUNCTION  $Z2 <$  CHANGES TO AN INSTANTANEOUS FUNCTION.
- 2) RESETTING OF INDICATION
- 3) UNDERIMPEDANCE  $Z2 < / Z2\alpha <$ , START
- 4) UNDERIMPENANCE  $Z2 <$ , TRIPPING
- 5) UNDERIMPEDANCE  $Z1 <$ , TRIPPING
- 6) LOSS OF AUXILIARY VOLTAGE
- 7) CONNECTED FOR  $RL=110-220V$  DC CHANGE FROM 111 TO 112 AND 121 TO 122 AT  $RL=48-60V$  DC

Customer drw no	Prep. PTUA/ TPTD Eriksson Jill	2000-11-24	1MRK 001064-LA	
	Appr. PTUA/ TATD Karlsson Roger	2001-03-27	Circuit Diagram	
	Resp. dept PTUA/ TPTD		2-phase underimpedance protection	
Based on	ABB Automation Technologies		Document number	1MRK001065-LA
			Lang. en	Rev. -
				Sheet 1

Document status: Approved