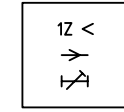
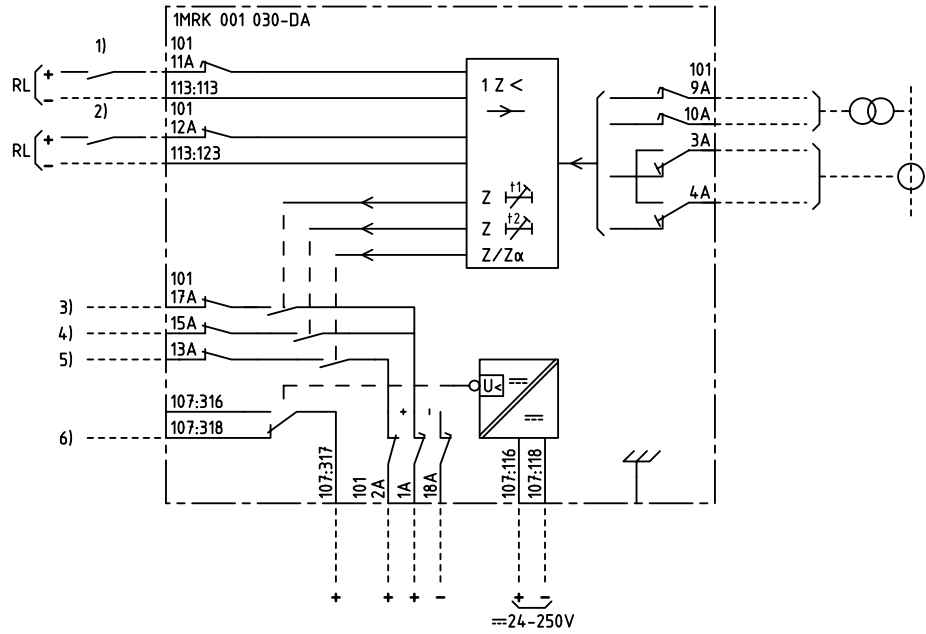


We reserve all rights in this document and in the information contained therein. Reproduction, use for other than intended purposes, or distribution without the written consent of ABB Network Partner AB is strictly forbidden.



1-PH UNDERIMPEDANCE PROTECTION  
 DELAYED  
 1-FAS UNDERIMPEDANDSSKYDD  
 FÖRDRÖJT

- 1) BLOCKING OF ALL FUNCTIONS EXCEPT  $Z_{\alpha <}$  OR BLOCKING OF TRIP  $Z_{\alpha <}$  OR ENABLE OF  $Z/Z_{\alpha <}$  OR ACCELERATION OF  $Z_{\alpha <}$ .  
 BLOCKERING AV ALLA FUNKTIONER UTOM  $Z_{\alpha <}$  ELLER BLOCKERING AV UTLÖSNING  $Z_{\alpha <}$  ELLER FRIGIVNING AV  $Z/Z_{\alpha <}$  ELLER ACCELERATION AV  $Z_{\alpha <}$
- 2) RESETTING OF INDICATION  
 ÅTERSTÄLLNING AV INDIKERING
- 3) UNDERIMPEDANCE, TRIPPING STAGE 1  
 UNDERIMPEDANS, UTLÖSNING STEG 1
- 4) UNDERIMPEDANCE, TRIPPING STAGE 2  
 UNDERIMPEDANS, UTLÖSNING STEG 2
- 5) DIRECTIONAL UNDERIMPEDANCE, START  
 RIKTAD UNDERIMPEDANS, START
- 6) LOSS OF AUXILIARY VOLTAGE  
 BORTFALL AV HJÄLPSPÄNNING

ELCAD ID PS/render

DATE 2004-06-2222:55

Issued in ARCADE

Prepared 97-04-03 H RAZA/JE		TERMINAL DIAGRAM/UTTAGSSCHEMA		Resp dep PS		Rev ind 2 97.46		Lang 82	
Approved 97-04-25 P JENÄKER		RAZK 211 1-PHASE UNDERIMPEDANCE PROT.		Sheet 1		Cont			
Rev Ind		Revision		Reg No 7411		Pcl 890.557		Based on	
1		2		3		4		5	

**ABB** ABB Network Partner AB

**1MRK 001 030-DAA**