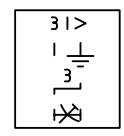
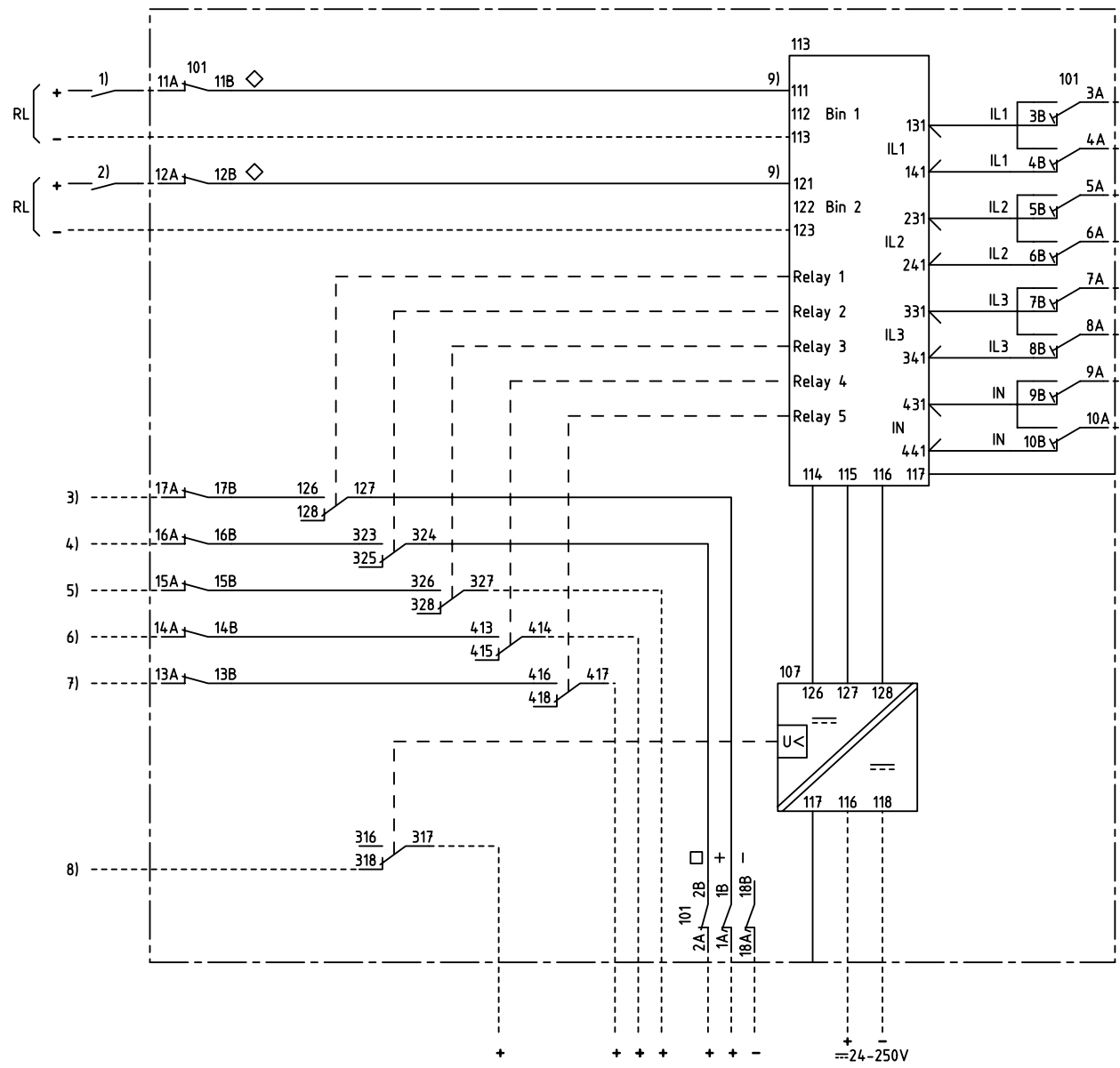
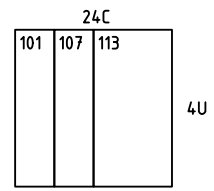


We reserve all rights in this document and in the information contained therein. Reproduction, use for other than intended purposes, without the written permission of ABB Automation Technologies AB is strictly forbidden.



3-PHASE OVERCURRENT AND EARTH-FAULT PROTECTION



- 101 RTXP 18
- 107 RXTUG 22H
- 113 RXHL 401

- 1), 2) BINARY INPUT, PROGRAMMABLE
- 3)-7) RELAY OUTPUTS 1-5, PROGRAMMABLE FUNCTION
- 8) LOSS OF AUXILIARY VOLTAGE
- 9) CONNECTED FOR RL=110-220V DC

PROGRAMMABLE FUNCTIONS FOR BINARY INPUTS:
BLOCKING/ENABLING I>, I>>, I>>>, IN>, IN>>, IN>>>
ALTERNATIVE SETTINGS; RESET OF LED INDICATIONS.

PROGRAMMABLE FUNCTIONS FOR BINARY OUTPUTS:
START AND TRIP I>, I>>, I>>>, IN>, IN>>, IN>>>;
ALTERNATIVE SETTINGS; IN SERVICE

1MRK 001 082-BB

Customer drw no	Prep. PTUA/ TPTD H Raza/JE 2000-01-28	Circuit Diagram	Cont. sh/ No of sh			
	Appr. PTUA/ Roger Karlsson 2000-02-03			O/C and E/F protection		
	Resp. dept PTUA/ TPTD					
Based on	ABB ABB Automation Technologies		Document number 1MRK001083-BB	Lang. en	Rev. -	Sheet 1

Document status: Approved