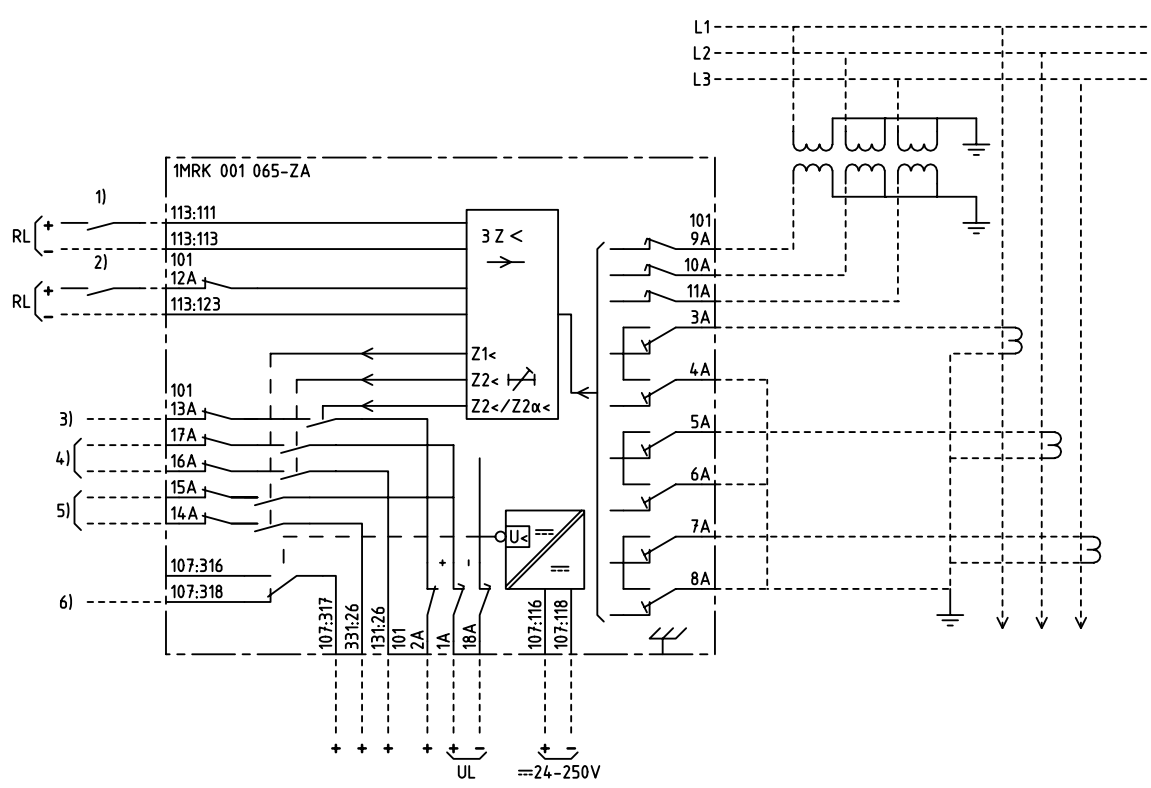


We reserve all rights in this document and in the information contained therein. Reproduction, use for other than intended purposes, or distribution without the written consent of ABB Network Partner AB is strictly forbidden.



3-PH UNDERIMPEDANCE PROTECTION
 DELAYED
 3-FAS UNDERIMPEDANSSKYDD
 FÖRDRÖJT

- 1) BLOCKING OF ALL THE FUNCTIONS EXCEPT Z2α<, FUNCTION Z2< CHANGES TO AN INSTANTANEOUS FUNCTION.
 BLOCKERING AV ALLA FUNKTIONER UTOM Z2α<, FUNKTION Z2< ÄNDRAS TILL MOMENTAN FUNKTION.
- 2) RESETTING OF INDICATION
 ÅTERSTÄLLNING AV INDIKERING
- 3) UNDERIMPEDANCE Z2</Z2α<, START
 UNDERIMPEDANS Z2</Z2α<, START
- 4) UNDERIMPEDANCE Z2<, TRIPPING
 UNDERIMPEDANS Z2<, UTLÖSNING
- 5) UNDERIMPEDANCE Z1<, TRIPPING
 UNDERIMPEDANS Z1<, UTLÖSNING
- 6) LOSS OF AUXILIARY VOLTAGE
 BORTFALL AV HJÄLPSPÄNNING

ELCAD ID PS/render		DATE 2004-06-232:10		Issued in ARCADE	
		Prepared 97-09-30	H RAZA/JE	TERMINAL DIAGRAM/UTTAGSSCHEMA	
		Approved 97-10-13	P JENÄKER	RAZK 223 3-PHASE UNDERIMPEDANCE PROT.	
				RAZK 223 3-FAS UNDERIMPEDANSSKYDD	
Rev Ind	Revision	Reg No 7411		Resp dep PS	Rev ind 1 97.45
Based on	Pcl 890.557			ABB ABB Network Partner AB	
				1MRK 001 065-ZAA	
				Lang 82	Sheet 1
				Cont	