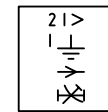
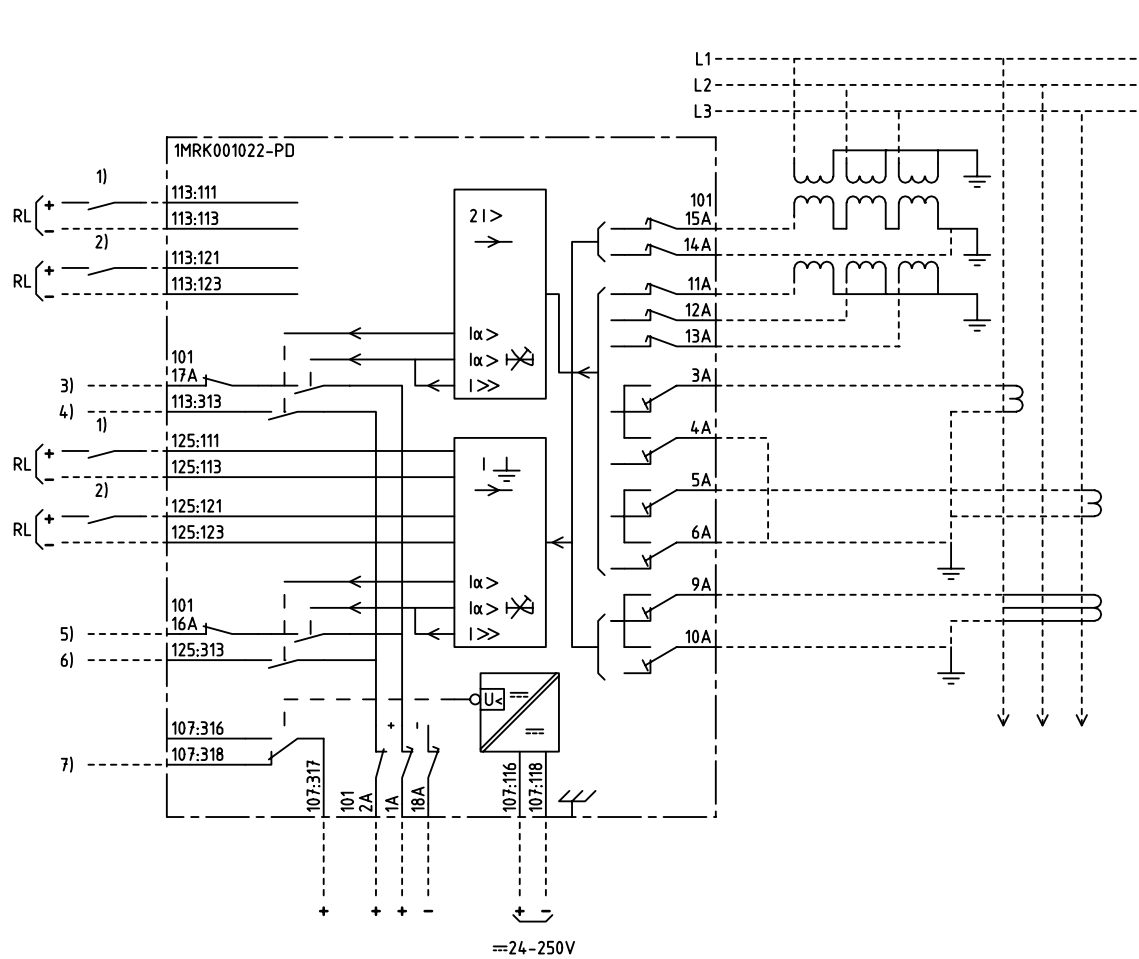
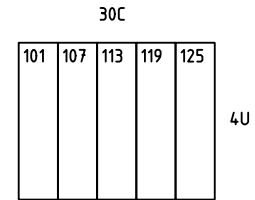


We reserve all rights in this document and in the information contained therein. Reproduction, use for other than intended purposes, without the written consent of ABB Automation Technologies AB is strictly forbidden.



DIRECTIONAL 2-PH OVERCURRENT AND EARTH FAULT PROTECTIONS, DELAYED
RIKTADE 2-FAS ÖVERSTRÖMS- OCH JORDFELSSKYDD, FÖRDRÖJDA



101 RTXP 18
107 RXTUG 22H
113,119,125 RXPDK 21H

- 1) BLOCKING OF THE FUNCTION $I\alpha >$
- 2) RESETTING OF INDICATION
ÅTERSTÄLLNING AV INDIKERING
- 3) DIR. OVERCURRENT/OVERCURRENT, TRIPPING
RIKTAD ÖVERSTRÖM/ÖVERSTRÖM, UTLÖSNING
- 4) DIRECTIONAL OVERCURRENT, START
RIKTAD ÖVERSTRÖM, START
- 5) EARTH FAULT, TRIPPING
JORDFEL, UTLÖSNING
- 6) EARTH FAULT, START
JORDFEL, START
- 7) LOSS OF AUXILIARY VOLTAGE
BORTFALL AV HJÄLPSPÄNNING

Customer drw no	Prep. PTUA/ TPTD H Raza/JE 1999-03-29	Connection Diagram	Conf. sh/ No of sh		
	Appr. PTUA/ Roger Karlsson 1999-05-21			Dir. O/C and E/F prot.	
	Resp. dept PTUA/ TPTD				
Based on	ABB ABB Automation Technologies	Document number 1MRK001022-PDA	Lang. 82	Rev. -	Sheet 1

Document status: Approved