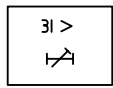
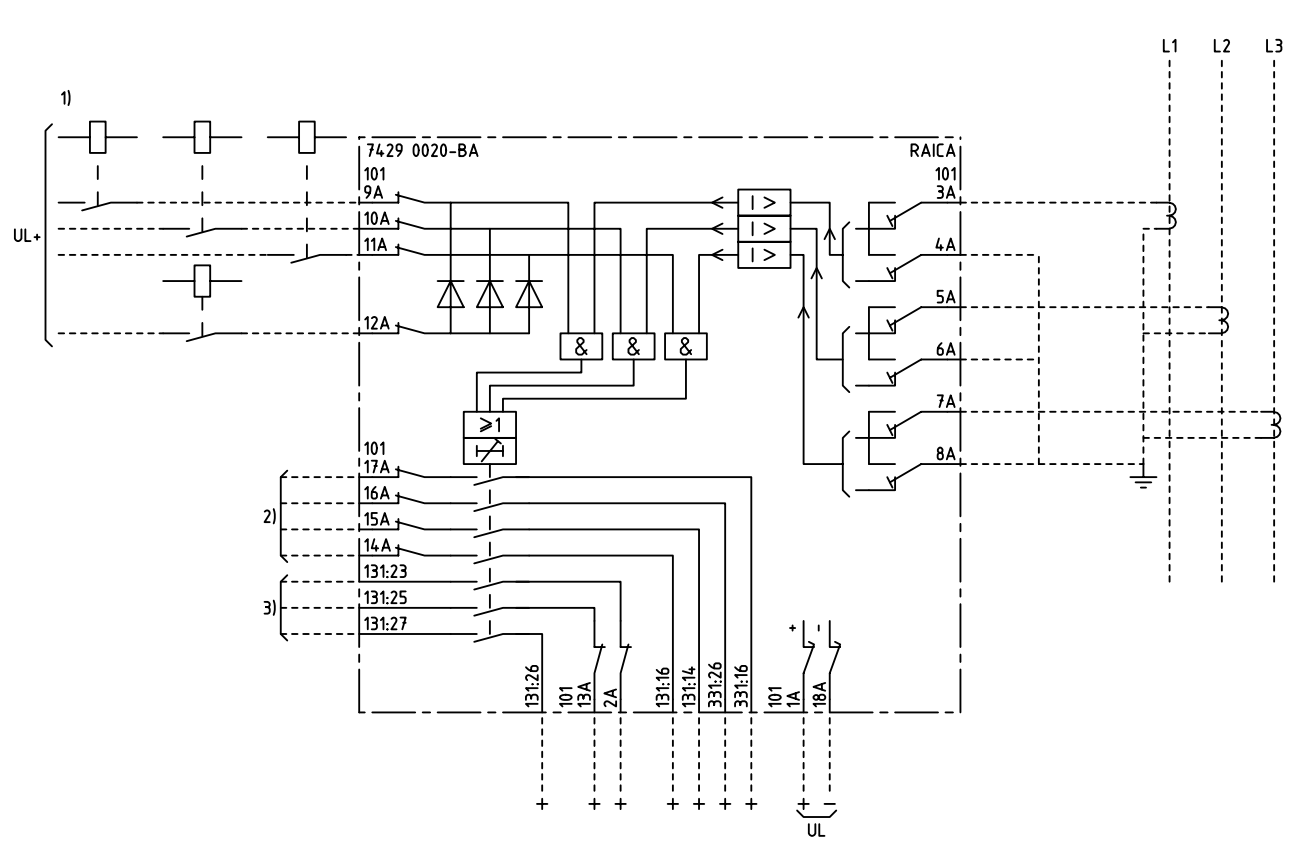


We reserve all rights in this document and in the information contained therein. Reproduction, use for other purposes or distribution without the written consent of ABB Network Partner AB is strictly forbidden.



BREAKER FAILURE PROTECTION
 WITH ONE TIME STEP,
 CURRENT DETECTORS IN 3 PHASES
 BRYTARFELSSKYDD MED ETT TIDSSTEG,
 STRÖMRELÄER I TRE FASER

- 1) TRIP RELAY IN ANOTHER PROTECTION
UTLÖSNINGSRELÄ I ANNAT SKYDD
- 2) TRIPPING OF BACK-UP CIRCUIT BREAKERS
UTLÖSNING AV RESERVBYRTARE
- 3) ALARM ETC.
SIGNAL M.M

ELCAD ID TPTD/render		DATE 2004-06-230:54		Issued in ARCADE	
Prepared 88.35 C-H EINVALL		Approved 88.35 Peter Jenøker		TERMINAL DIAGRAM/UTTAGSSCHEMA RAICA BREAKER FAILURE PROTECTION BRYTARFELSSKYDD	
Rev Ind	Revision	Reg No 7429	Resp dep TPTD		Rev Ind 2 96.45
Based on	Pcl 890.651	Lang 82		Sheet 1	
ABB Network Partner AB			7429 0020-BAA		Cont