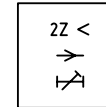
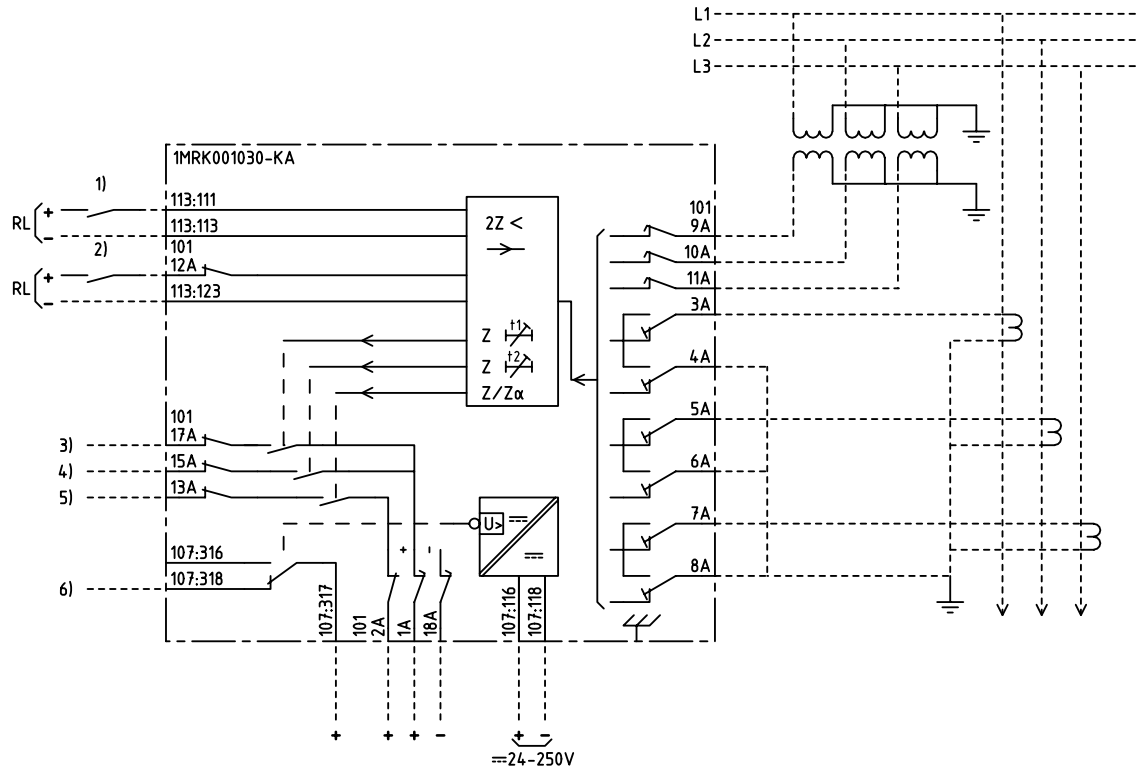


We reserve all rights in this document and in the information contained therein. Reproduction, use for other than intended purposes, or distribution without the written permission of ABB Automation Technologies AB is strictly forbidden.



2-PH UNDERIMPEDANCE PROTECTION DELAYED

24C				
101	107	113	119	4U

101 RTXP 18
 107 RXTUG 22H
 113,119 RXZK 21H

- 1) BLOCKING OF ALL FUNCTIONS EXCEPT Z_{α} OR BLOCKING OF TRIP Z OR ENABLE OF Z/Z_{α} OR ACCELERATION OF Z .
- 2) RESETING OF INDICATION
- 3) UNDERIMPEDANCE, TRIPPING STAGE 1
- 4) UNDERIMPEDANCE, TRIPPING STAGE 2
- 5) UNDERIMPEDANCE/DIR. UNDERIMPEDANCE, START
- 6) LOSS OF AUXILIARY VOLTAGE

Customer drw no	Prep. PTUA/ TPTD Eriksson Jill 2000-11-23	Connection Diagram		Conf. sh/ No of sh
	Appr. PTUA/ TATD Karlsson Roger 2001-03-27	2-phase underimpedance protection		
	Resp. dept PTUA/ TPTD	Document number	Lang.	Rev.
Based on	ABB ABB Automation Technologies	1MRK001030-KAA	en	-
				Sheet 1

Document status: Approved