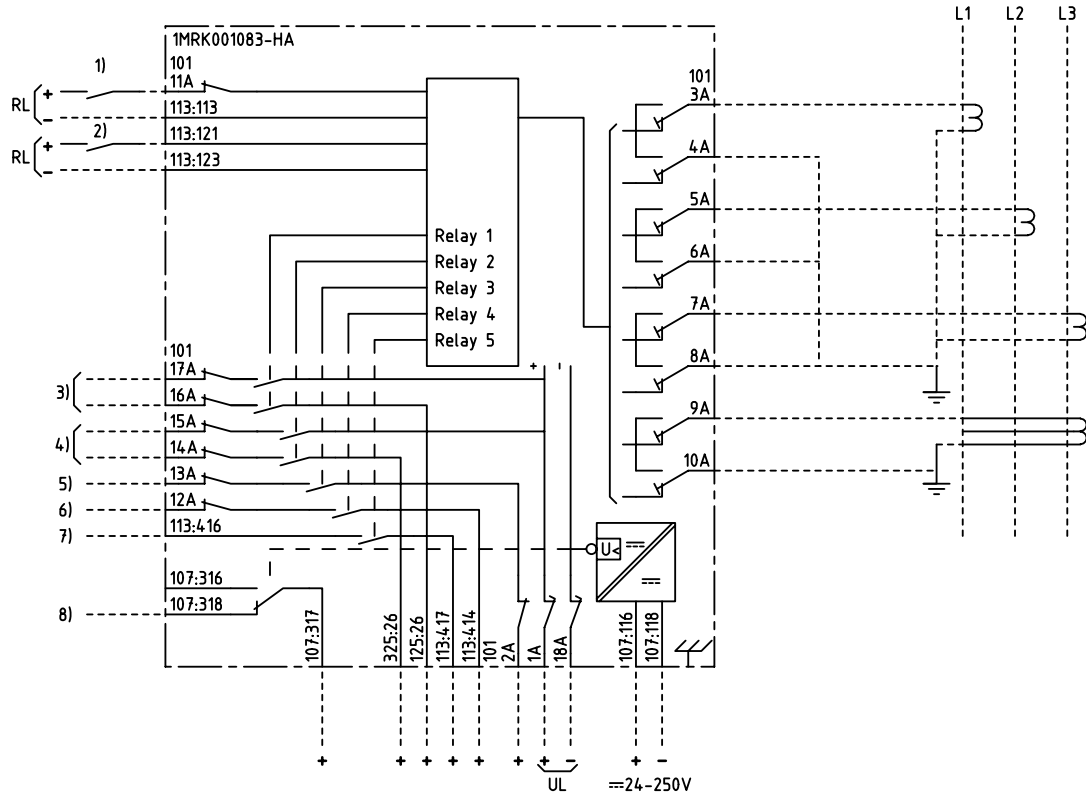


We reserve all rights in this document and in the information contained therein. Reproduction, use or distribution of this document without the written authority of ABB Automation Technologies AB is strictly forbidden.



MULTI-FUNCTION CURRENT PROTECTION

30C			
101	107	113	125
			325
4U			

101	RTXP 18
107	RXTUG 22H
113	RXHL 411
125,325	RXME 18

- 1), 2) BINARY INPUT, PROGRAMMABLE
- 3)-7) RELAY OUTPUTS 1-5, PROGRAMMABLE FUNCTION
- 8) LOSS OF AUXILIARY VOLTAGE

PROGRAMMABLE FUNCTIONS FOR BINARY INPUTS:  
 BLOCKING/ENABLING I>, I>>, I>>>, IN>, IN>>, IN>>>  
 THERMAL RESET 0, BREAKER FAILURE EXTERNAL START;  
 ALTERNATIVE SETTINGS; RESET OF LED INDICATIONS.

PROGRAMMABLE FUNCTIONS FOR BINARY OUTPUTS:  
 START AND TRIP I>, I>>, I>>>, IN>, IN>>, IN>>>;  
 THERMAL ALARM 0; THERMAL TRIP 0;  
 BREAKER FAILURE RE-TRIP; BREAKER FAILURE BACK-UP TRIP;  
 ALTERNATIVE SETTINGS; IN SERVICE

BINARY INPUT OPTIONS:  
 CIRCUIT-BREAKER CLOSED; CIRCUIT-BREAKER READY;  
 BLOCKING OF AUTORECLOSING; AUTORECLOSING EXTERNAL ON.

BINARY OUTPUT OPTIONS:  
 AUTORECLOSING ON; AUTORECLOSING READY;  
 AUTORECLOSING STARTED;  
 AUTORECLOSING PULSE TO CIRCUIT-BREAKER;  
 AUTORECLOSING UNSUCCESSFUL; INTENTIONAL OVERREACH TRIP.

Customer drw no	Prep. PTUA/ TPTD H Raza/JE 1999-09-27	Connection Diagram		Conf. sh/ No of sh	
	Appr. PTUA/ Roger Karlsson 1999-09-27	Multi-f current prot.			
	Resp. dept PTUA/ TPTD				
Based on	ABB Automation Technologies		Document number <b>1MRK001083-HAA</b>	Lang. en	
				Rev. 1	Sheet 1

Document status: Approved