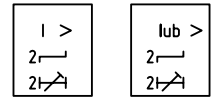
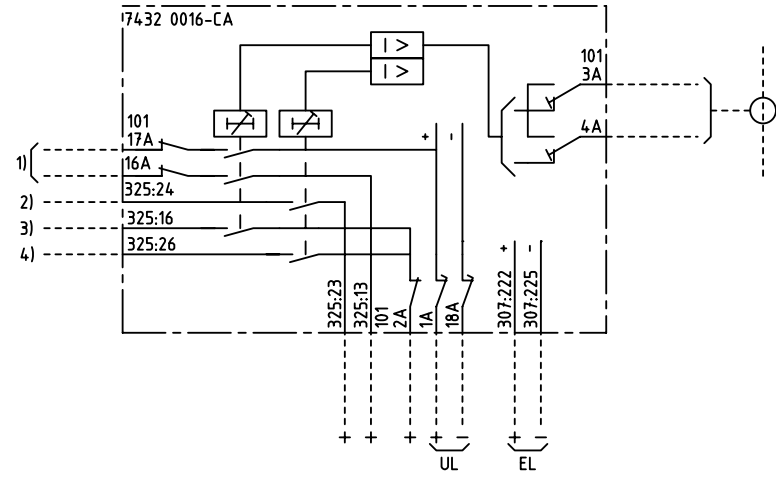


We reserve all rights in this document and in the information contained therein. Reproduction, use for other than intended purposes, or distribution without the written permission of ABB Network Partner AB is strictly forbidden.



1-PHASE UNBALANCE PROTECTION
 FOR SHUNT-CAPACITORS
 1-FAS OBALANSSKYDD FÖR
 SHUNKONDANSATORER



- 1) TRIPPING OF CBs ETC
UTLÖSNING AV BRYTARE M.M.
- 2) UNBALANCE ALARM
OBALANSSKYDD
- 3) ALARM, STEP 2
SIGNAL, STEG 2
- 4) ALARM, STEP 1
SIGNAL, STEG 1

ELCAD ID PAT/render DATE 2004-06-223:59 Issued in ARCADE

Prepared 82 45		C-H EINVALL		TERMINAL DIAGRAM/UTTAGSSCHEMA			
Approved 82 45		P JENÄKER		OVERCURRENT PROTECTION			
				ÖVERSTRÖMSSKYDD		Resp dep PAT Rev ind 2 96 45 Lang 82	
Rev Ind	Revision	Reg No	7432	ABB ABB Network Partner AB		7432 0016-CAA	
Based on		Pcl	890.651				
						Cont	