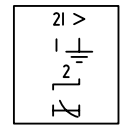
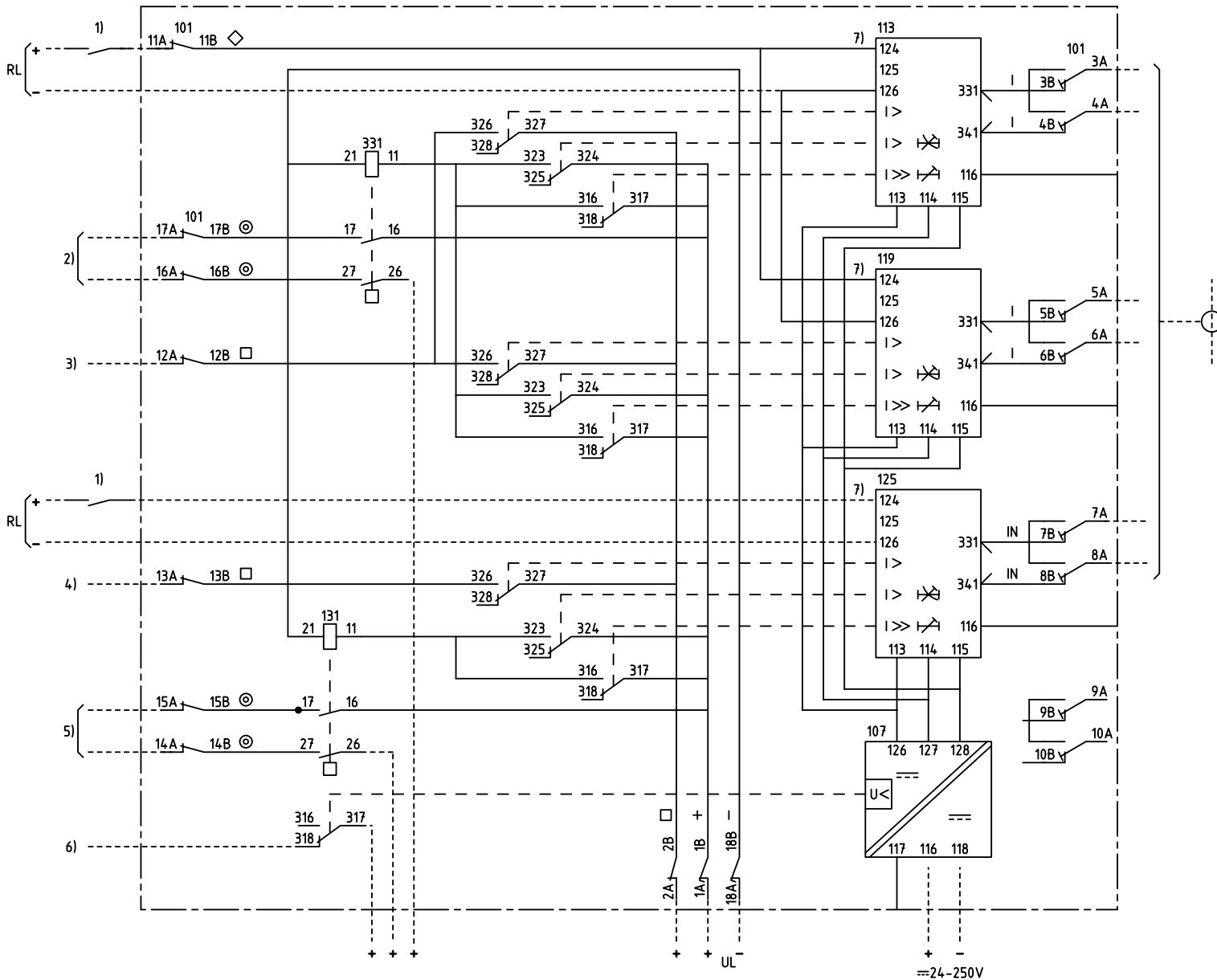


We reserve all rights in this document and in the information contained therein. Reproduction, use for other purposes or distribution without the written consent of ABB Network Partner AB is strictly forbidden.



2-PHASE OVERCURRENT AND EARTH-FAULT PROTECTION
2-FAS ÖVERSTRÖMS- OCH JORDFELSSKYDD

| 36C | | | | | |
|-----|-----|-----|-----|-----|-----|
| 101 | 107 | 113 | 119 | 125 | 131 |
| | | | | | 331 |
| | | | | | 4U |

- 101 RTXP 18
- 107 RXTUG 22H
- 113,119,125 RXIDK 2H
- 131,331 RXME 18

- 1) ENABLE, BLOCK OR INCREASED OP.VALUE
FRIGIVNING, BLOCKERING ELLER ÖKAT
FUNKTIONSVÄRDE
- 2) OVERCURRENT, TRIPPING
ÖVERSTRÖM, UTLÖSNING
- 3) START, OVERCURRENT
START, ÖVERSTRÖM
- 4) START, EARTH-FAULT
START, JORDFEL
- 5) EARTH-FAULT, TRIPPING
JORDFEL, UTLÖSNING
- 6) LOSS OF AUXILIARY VOLTAGE
BORTFALL AV HJÄLPSPÄNNING
- 7) CONNECTED FOR RL=110-220V DC
CHANGE FROM 124 TO 125
AT RL=48-60V DC
KOPPLAD FÖR RL=110-220V DC
ÄNDRA FRÅN 124 TO 125
VID RL=48-60V DC

ELCAD ID PAT/render DATE 2004-06-2220:25 1MRK 001 002-ZB Issued in ARCADE

| | | | | | | | | | |
|-------------------------------------|--|--------------------------------|--|--------------|--|-----------|--|-------------|--|
| Prepared 96-10-07 H RAZA/J ERIKSSON | | CIRCUIT DIAGRAM/KRETSSCHEMA | | Resp dep PAT | | Rev ind - | | Lang 82 | |
| Approved 96-12-03 P JENÄKER | | RAIDK 3 OVERCURRENT PROTECTION | | Sheet 1 | | Cont | | | |
| Rev Ind | | Revision | | Reg No 7411 | | Based on | | Pcl 890 474 | |
| | | | | | | | | | |

ABB ABB Network Partner AB

1MRK 001 003-ZB