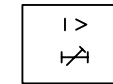
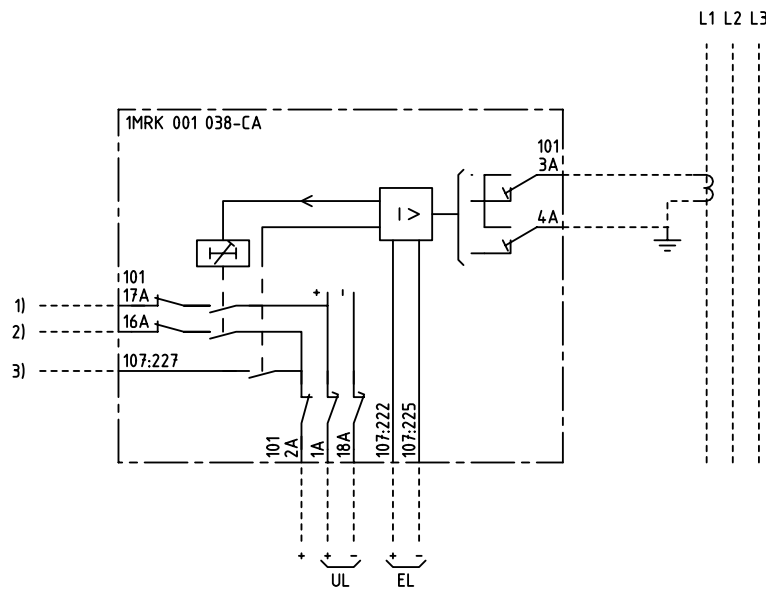


We reserve all rights in this document and in the information contained therein. Reproduction, use for other than intended purposes, without the written consent of ABB Network Partner AB is strictly forbidden.



1-PHASE OVERCURRENT PROTECTION, DELAYED
 1-FAS ÖVERSTRÖMSSKYDD, FÖRDRÖJT

- 1) TRIPPING ETC.
UTLÖSNING M.M.
- 2) ALARM ETC.
SIGNAL M.M.
- 3) BLOCKING, INDICATION ETC.
BLOCKERING, INDIKERING M.M.

ELCAD ID PS/render

DATE 2004-06-22:03

Issued in ARCADE

Prepared 97-06-27 C-H EINVALL/JE		TERMINAL DIAGRAM/UTTAGSSCHEMA		Resp dep PS		Rev ind -		Lang 82	
Approved 97-07-04 P JENÄKER		RAIG 1-PHASE OVERCURRENT PROTECTION		RAIG 1-FAS ÖVERSTRÖMSSKYDD		1MRK 001 038-CAA		Sheet 1	
Rev Ind	Revision	Reg No 7411	ABB ABB Network Partner AB		1MRK 001 038-CAA		Cont		1
Based on		Pcl 890,411							

1

2

3

4

5

6