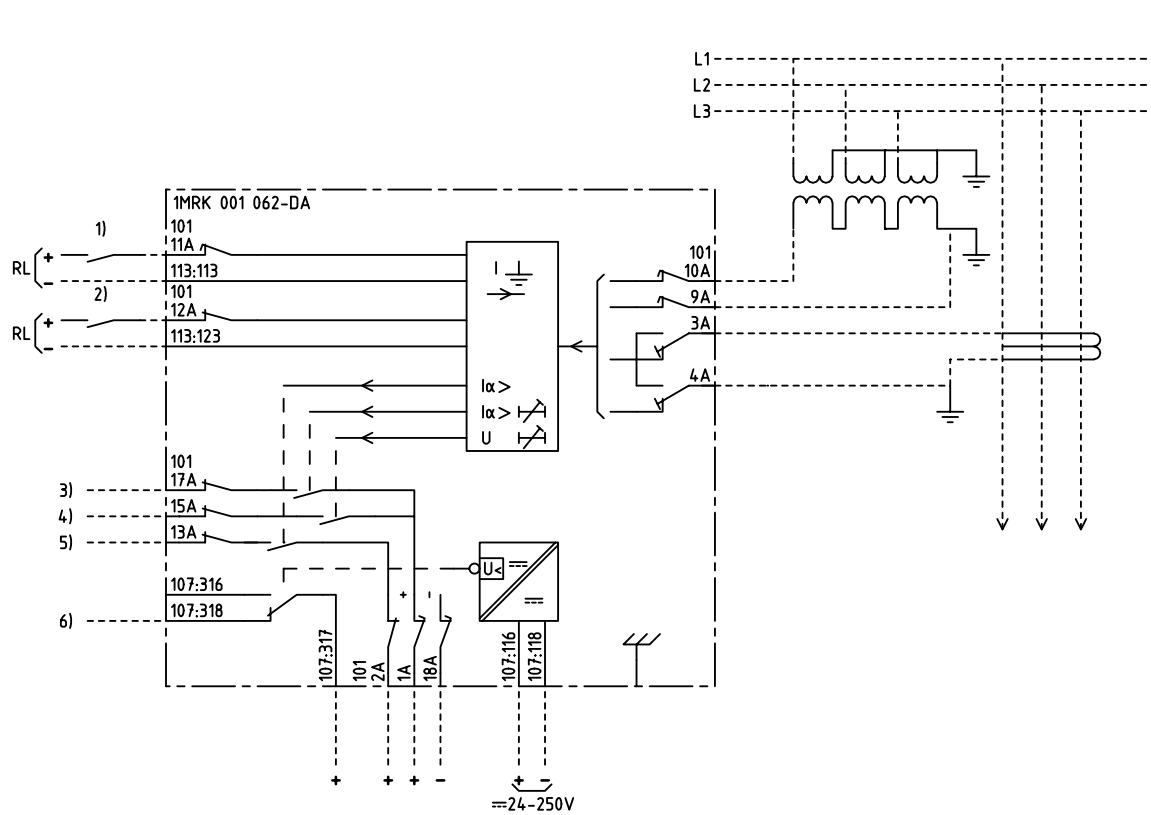
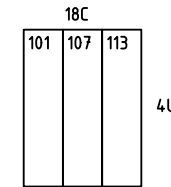


We reserve all rights in this document and in the information contained therein. Reproduction, use for other than intended purposes, without the written consent of ABB Network Partner AB is strictly forbidden.



DIRECTIONAL EARTH FAULT PROTECTION, DELAYED

RIKTAT JORDFELSSKYDD, FÖRDRÖJT



101 RTXP 18
107 RXTUG 22H
113 RXPDK 22H

- 1) CHANGING OF CHARACTERISTIC ANGLE α 0° TO -90° OR -90° TO 0°
ÄNDRING AV KARAKTERISTISK VINKEL α 0° TILL -90° OR -90° TILL 0°
- 2) RESETTING OF INDICATION
ÅTERSTÄLLNING AV INDIKERING
- 3) EARTH FAULT CURRENT, TRIPPING
JORDFELSSTRÖM, UTLÖSNING
- 4) NEUTRAL POINT VOLTAGE, TRIPPING
NOLLPUNKTSSPÄNNING, UTLÖSNING
- 5) EARTH FAULT CURRENT, START
JORDFELSSTRÖM, START
- 6) LOSS OF AUXILIARY VOLTAGE
BORTFALL AV HJÄLPSPÄNNING

ELCAD ID PS/render

DATE 2004-06-230:52

Issued in ARCADE

Prepared 97-01-28 H RAZA/JE		TERMINAL DIAGRAM/UTTAGSSCHEMA		Resp dep PS		Rev ind 1 98-07-02		Lang 82	
Approved 97-03-07 P JENÄKER		RAPDK 221 DIR. EARTH-FAULT PROTECTION		Resp dep PS		Rev ind 1 98-07-02		Lang 82	
RAPDK 221 RIKTAT JORDFELSSKYDD		ABB ABB Network Partner AB		1MRK 001 062-DAA		Sheet 1		Cont	
Rev Ind	Revision	Reg No	7411						
Based on		Pct	890.512						