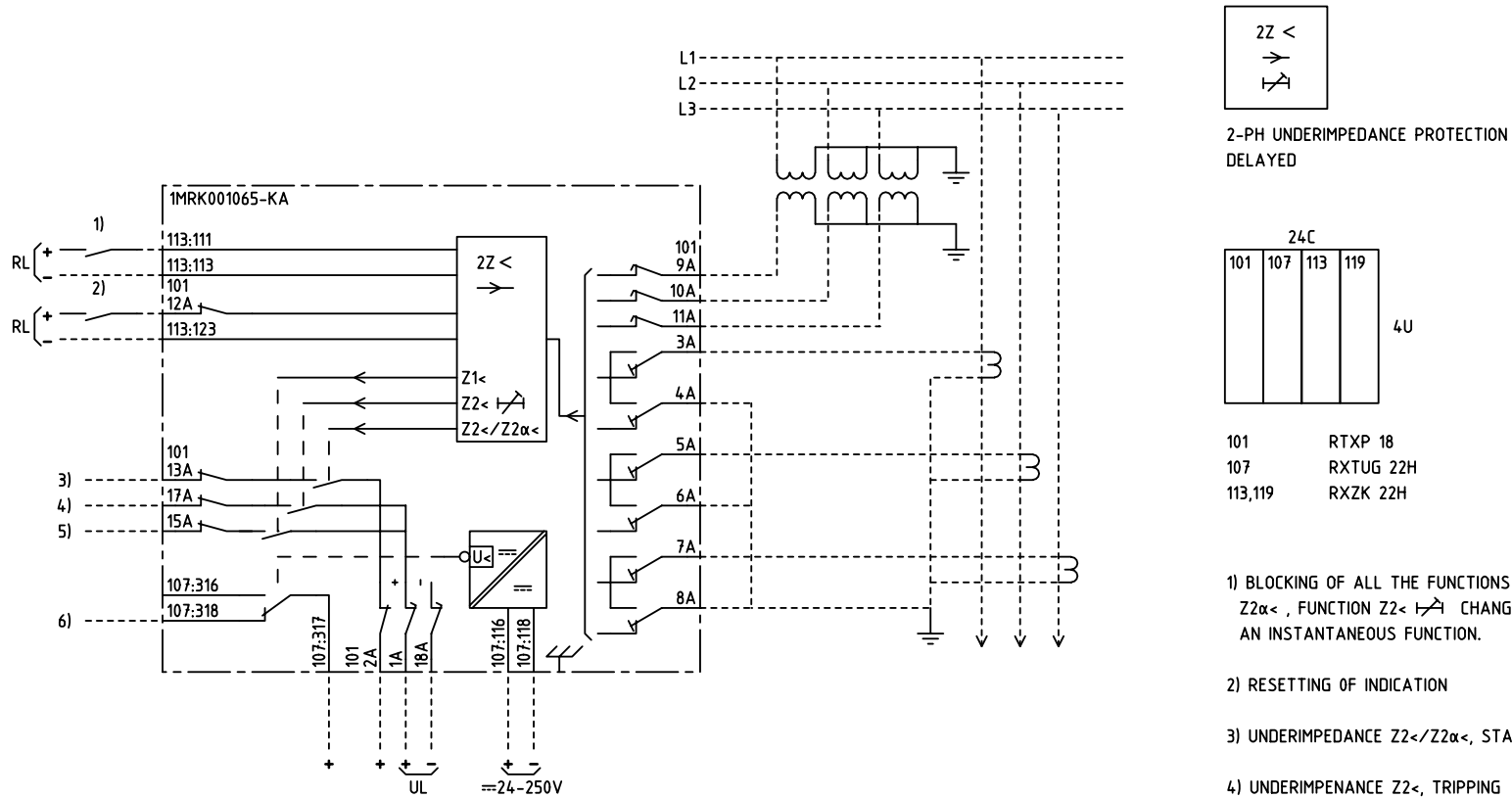


We reserve all rights in this document and in the information contained therein. Reproduction, use for other than intended purposes, or distribution without the written permission of ABB Automation Technologies AB is strictly forbidden.



ZZ <

2-PH UNDERIMPEDANCE PROTECTION DELAYED

24C			
101	107	113	119
4U			
101	107	113,119	

101 RTXP 18
107 RXTUG 22H
113,119 RXZK 22H

- 1) BLOCKING OF ALL THE FUNCTIONS EXCEPT Z2α<, FUNCTION Z2< CHANGES TO AN INSTANTANEOUS FUNCTION.
- 2) RESETTING OF INDICATION
- 3) UNDERIMPEDANCE Z2</Z2α<, START
- 4) UNDERIMPEDANCE Z2<, TRIPPING
- 5) UNDERIMPEDANCE Z1<, TRIPPING
- 6) LOSS OF AUXILIARY VOLTAGE

Customer drw no	Prep. PTUA/ TPTD Eriksson Jill 2000-11-24	Connection Diagram		Conf. sh/ No of sh
	Appr. PTUA/ TATD Karlsson Roger 2001-03-27	2-phase underimpedance protection		
	Resp. dept PTUA/ TPTD	Document number	Lang.	Rev.
Based on	ABB ABB Automation Technologies	1MRK001065-KAA	en	-
				Sheet 1

Document status: Approved