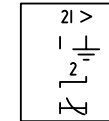
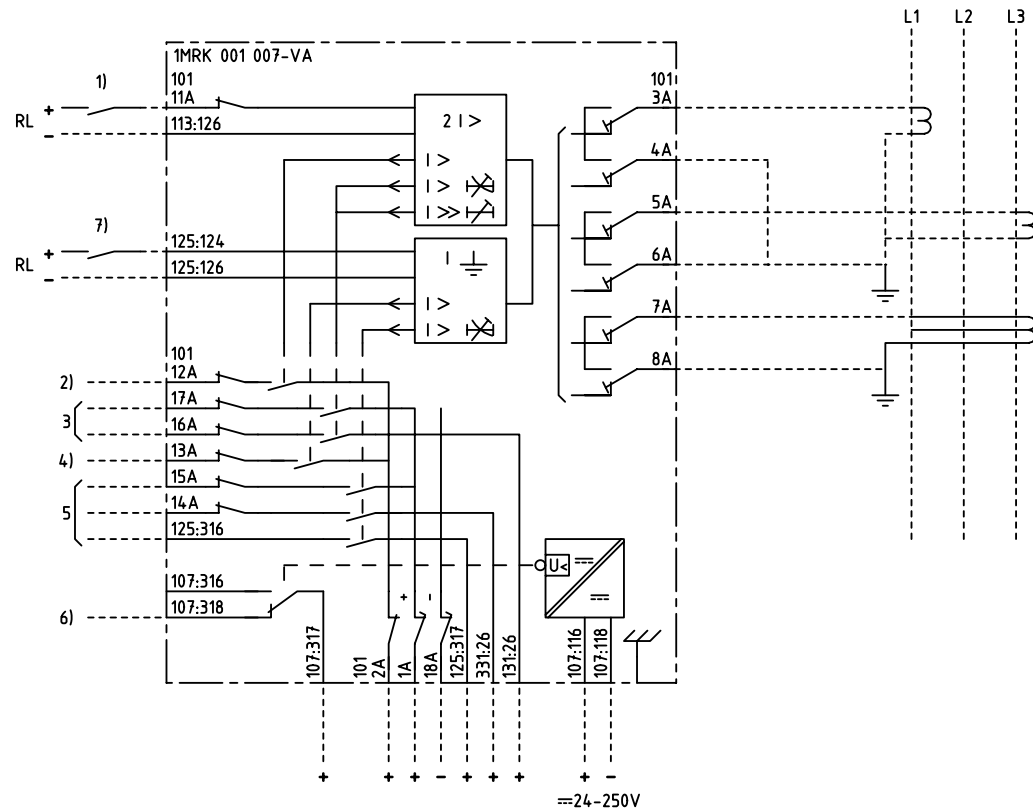
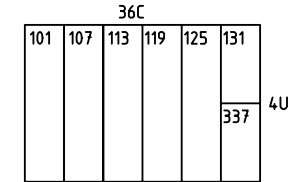


We reserve all rights in this document and in the information contained therein. Reproduction, use or distribution of this document without the written authority of ABB Automation Technologies AB is strictly forbidden.



2-PHASE OVERCURRENT AND  
EARTH-FAULT PROTECTION  
2-FAS ÖVERSTRÖMSSKYDD  
JORDFELSSKYDD



101	RTXP 18
107	RXTUG 22H
113 119	RXIDK 2H
125	RXIDG 21H
131 331	RXME 18

- 1) ENABLE, BLOCK OR INCREASED OP.VALUE  
FRIGIVNING, BLOCKERING ELLER ÖKAT  
FUNKTIONSVÄRDE
- 2) OVERCURRENT, START  
ÖVERSTRÖM, START
- 3) OVERCURRENT, TRIPPING  
ÖVERSTRÖM, UTLÖSNING
- 4) EARTH-FAULT, START  
JORDFEL, START
- 5) EARTH-FAULT, TRIPPING  
JORDFEL, UTLÖSNING
- 6) LOSS OF AUXILIARY VOLTAGE  
BORTFALL AV HJÄLPPSPÄNNING
- 7) ENABLE OR BLOCK  
FRIGIVNING ELLER BLOCKERING

Customer drw no	Prep. PTUA/ TPTD Eriksson Jill 2002-10-01	Connection Diagram RACIK 3 O/C protection	Cont. sh/ No of sh
	Appr. PTUA/ SA/DP Jonsson Patrik 2002-10-01		
	Resp. dept PTUA/ TPTD	Document number	Lang. Rev. Sheet
Based on	<b>ABB</b> ABB Automation Technologies	<b>1MRK001007-VAA</b>	en A 1

Document status: Approved