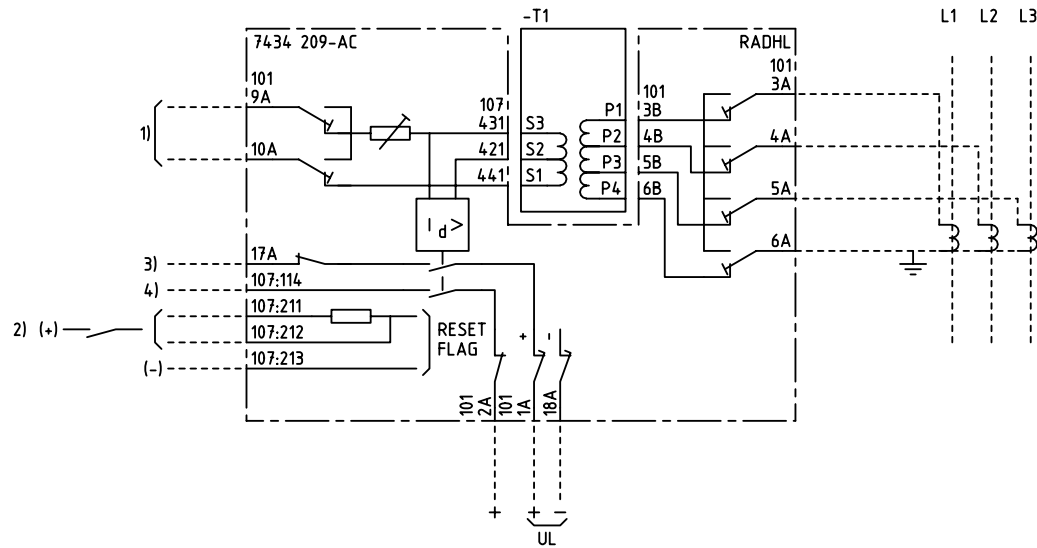


We reserve all rights in this document and in the information contained therein. Reproduction, use for other than intended purposes, or distribution without the written permission of ABB Network Partner AB is strictly forbidden.



PILOT-WIRE DIFFERENTIAL PROTECTION
LÄNGSDIFFERENTIALSKYDD

- 1) PILOT-WIRES
HJÄLPTRÅDAR
- 2) RESETTING
AT 110-250V CONNECT TO 107:211
AT 24-55V CONNECT TO 107:212
ÅTERSTÄLLNING
VID 110-250V ANSLUT TILL 107:211
VID 24-55V ANSLUT TILL 107:212
- 3) TRIPPING ETC.
UTLÖSNING M.M
- 4) ALARM ETC.
SIGNAL M.M

ELCAD ID PAT/render

DATE 2004-06-227:37

Issued in ARCADE

Prepared 80 22 N BRANDT		TERMINAL DIAGRAM/UTTAGSSHEMA			
Approved 80 22 P JENÄKER		RADHL DIFFERENTIAL PROTECTION			
		RADHL DIFFERENTIALSKYDD		Resp dep PAT	Rev Ind 3 96 45
Rev Ind	Revision	Reg No 7434	ABB ABB Network Partner AB	7434 209-ACA	
Based on	Pcl 890.612			Lang 82	Sheet 1
				Cont	

1

2

3

4

5

6