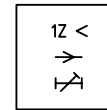
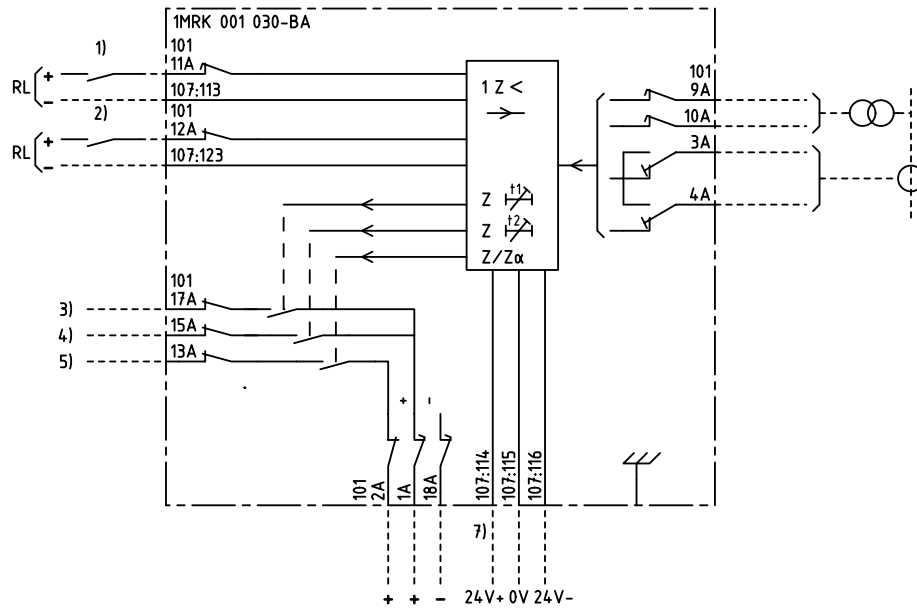


We reserve all rights in this document and in the information contained therein. Reproduction, use for advertising or promotional purposes without the written permission of ABB Network Partner AB is strictly forbidden.



1-PH UNDERIMPEDANCE PROTECTION
 DELAYED
 1-FAS UNDERIMPEDANDSSKYDD
 FÖRDRÖJT

- 1) BLOCKING OF ALL FUNCTIONS EXCEPT $Z\alpha<$ OR BLOCKING OF TRIP Z OR ENABLE OF $Z/Z\alpha<$ OR ACCELERATION OF Z .
BLOCKERING AV ALLA FUNKTIONER UTOM $Z\alpha<$ ELLER BLOCKERING AV UTLÖSNING Z ELLER FRIGIVNING AV $Z/Z\alpha<$ ELLER ACCELERATION AV Z .
- 2) RESETTING OF INDICATION
ÅTERSTÄLLNING AV INDIKERING
- 3) UNDERIMPEDANCE, TRIPPING STAGE 1
UNDERIMPEDANS, UTLÖSNING STEG 1
- 4) UNDERIMPEDANCE, TRIPPING STAGE 2
UNDERIMPEDANS, UTLÖSNING STEG 2
- 5) DIRECTIONAL UNDERIMPEDANCE, START
RIKTAD UNDERIMPEDANS, START
- 7) MUST BE ENERGIZED FROM RXTUG 21/22H
MÅSTE MATAS FRÅN RXTUG 21/22H

ELCAD ID PS/render

DATE 2004-06-230:37

Issued in ARCADE

Prepared 97-04-03 H RAZA/JE		TERMINAL DIAGRAM/UTTAGSSCHEMA		Resp dep PS		Rev ind 1 97.38		Lang 82	
Approved 97-04-25 Peter Jenøker		RAZK 211 1-PHASE UNDERIMPEDANCE PROT.		Sheet 1					
Rev Ind Revision		Reg No 7411		Based on		Pcl 890.557		Cont	
				ABB Network Partner AB		1MRK 001 030-BAA			