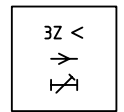
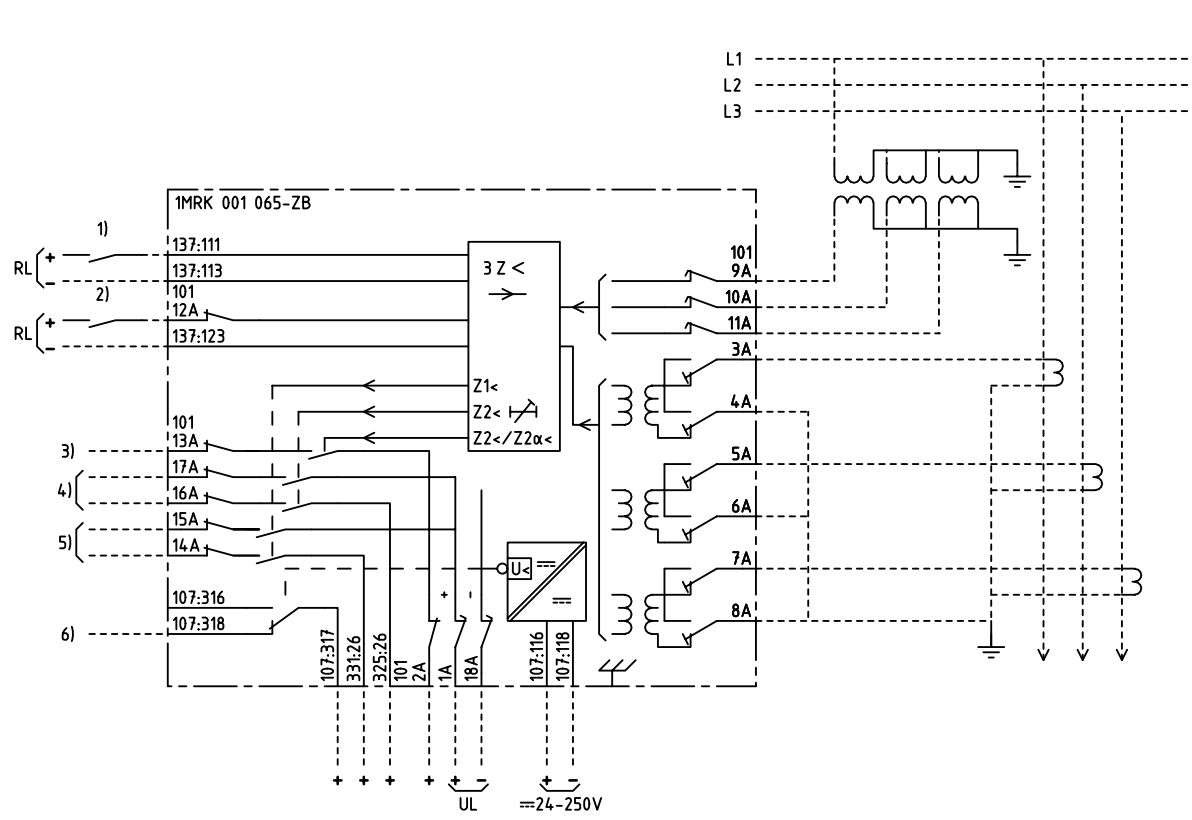


We reserve all rights in this document and in the information contained therein. Reproduction, use for other than intended purposes, or distribution without the written consent of ABB Network Partner AB is strictly forbidden.



3-PH UNDERIMPEDANCE PROTECTION
 DELAYED
 3-FAS UNDERIMPEDANSSKYDD
 FÖRDRÖJT

54C						
101	107	113	125	137	143	149
		313	325	331		
4U						

101 RTXP 18
 107 RXTUG 22H
 113,125,313 TRANSFORMER UNIT
 137,143,149 RXZK 22H
 325,331 RXME 18

- 1) BLOCKING OF ALL THE FUNCTIONS EXCEPT Z2α<, FUNCTION Z2< CHANGES TO AN INSTANTANEOUS FUNCTION.
 BLOCKERING AV ALLA FUNKTIONER UTOM Z2α<, FUNKTION Z2< ÄNDRAS TILL MOMENTAN FUNKTION.
- 2) RESETTING OF INDICATION
 ÅTERSTÄLLNING AV INDIKERING
- 3) UNDERIMPEDANCE Z2</Z2α<, START
 UNDERIMPEDANS Z2</Z2α<, START
- 4) UNDERIMPEDANCE Z2<, TRIPPING
 UNDERIMPEDANS Z2<, UTLÖSNING
- 5) UNDERIMPEDANCE Z1<, TRIPPING
 UNDERIMPEDANS Z1<, UTLÖSNING
- 6) LOSS OF AUXILIARY VOLTAGE
 BORTFALL AV HJÄLPSPÄNNING

ELCAD ID PS/render DATE 2004-06-2223:12 Issued in ARCADE

Prepared 98-03-26 H RAZA/JE		CIRCUIT DIAGRAM/KRETSSHEMA		Resp dep PS		Rev ind 1 98-05-27		Lang 82	
Approved 98-04-23 P JENÄKER		RAZK 223 3-PHASE UNDERIMPEDANCE PROT.		Rev ind 1 98-05-27		Lang 82		Sheet 1	
Rev Ind Revision		Reg No 7411		Rev ind 1 98-05-27		Lang 82		Sheet 1	
Based on		Pcl 890.557		Rev ind 1 98-05-27		Lang 82		Sheet 1	
				ABB ABB Network Partner AB		1MRK 001 065-ZBA		Cont	