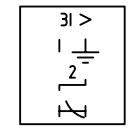
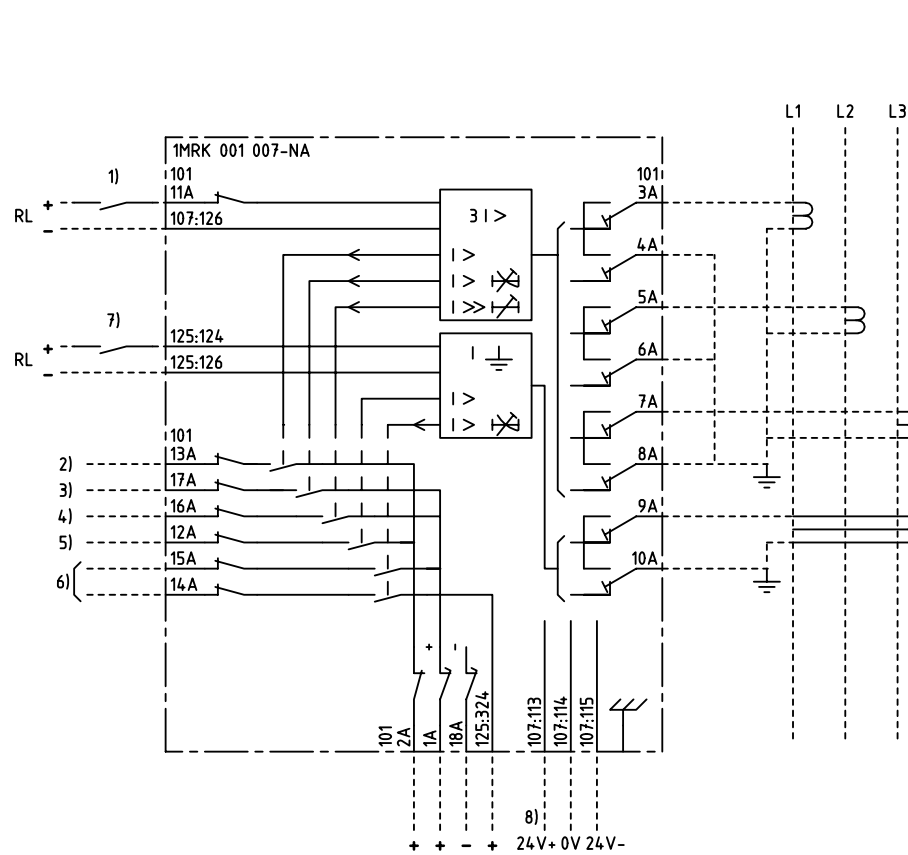


We reserve all rights in this document and in the information contained therein. Reproduction, use for other purposes or distribution without the written consent of ABB Network Partner AB is strictly forbidden.



3-PHASE OVERCURRENT AND EARTH-FAULT PROTECTION
3-FAS ÖVERSTRÖMSKYDD OCH JORDFELSSKYDD

| 30C | | | | |
|-----|-----|-----|-----|-----|
| 101 | 107 | 113 | 119 | 125 |

4U

101 RTXP 18
107 113 119 RXIDK 2H
125 RXIDG 21H

- 1) ENABLE, BLOCK OR INCREASED OP.VALUE FRIGIVNING, BLOCKERING ELLER ÖKAT FUNKTIONSVÄRDE
- 2) START, OVERCURRENT START, ÖVERSTRÖM
- 3) LOW SET STAGE, TRIPPING LÅGSTRÖMSSTEG, UTLÖSNING
- 4) HIGH SET STAGE, TRIPPING HÖGSTRÖMSSTEG, UTLÖSNING
- 5) START, EARTH-FAULT START, JORDFEL
- 6) EARTH-FAULT, TRIPPING JORDFEL, UTLÖSNING
- 7) ENABLE OR BLOCK FRIGIVNING ELLER BLOCKERING
- 8) MUST BE ENERGIZED FROM RXTUG 21/22H MÅSTE MATAS FRÅN RXTUG 21/22H

ELCAD ID PS/render

DATE 2004-06-2220:02

Issued in ARCADE

| | | | |
|-----------------------------|-------------|--|--------------------|
| Prepared 97-08-06 H RAZA/JE | | TERMINAL DIAGRAM/UTTAGSSCHEMA | |
| Approved 97-08-22 P JENÄKER | | RACIK 4 OVERCURRENT AND E/F PROTECTION | |
| | | RACIK 4 ÖVERSTRÖMS- OCH JORDFELSSKYDD | |
| Rev Ind | Revision | Reg No 7411 | Resp dep PS |
| Based on | Pcl 890.616 | | Rev ind 1 98-08-10 |
| | | Lang 82 | |
| | | Sheet 1 | |
| | | Cont | |

ABB ABB Network Partner AB

1MRK 001 007-NAA

1

2

3

4

5

6