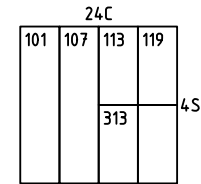
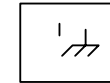
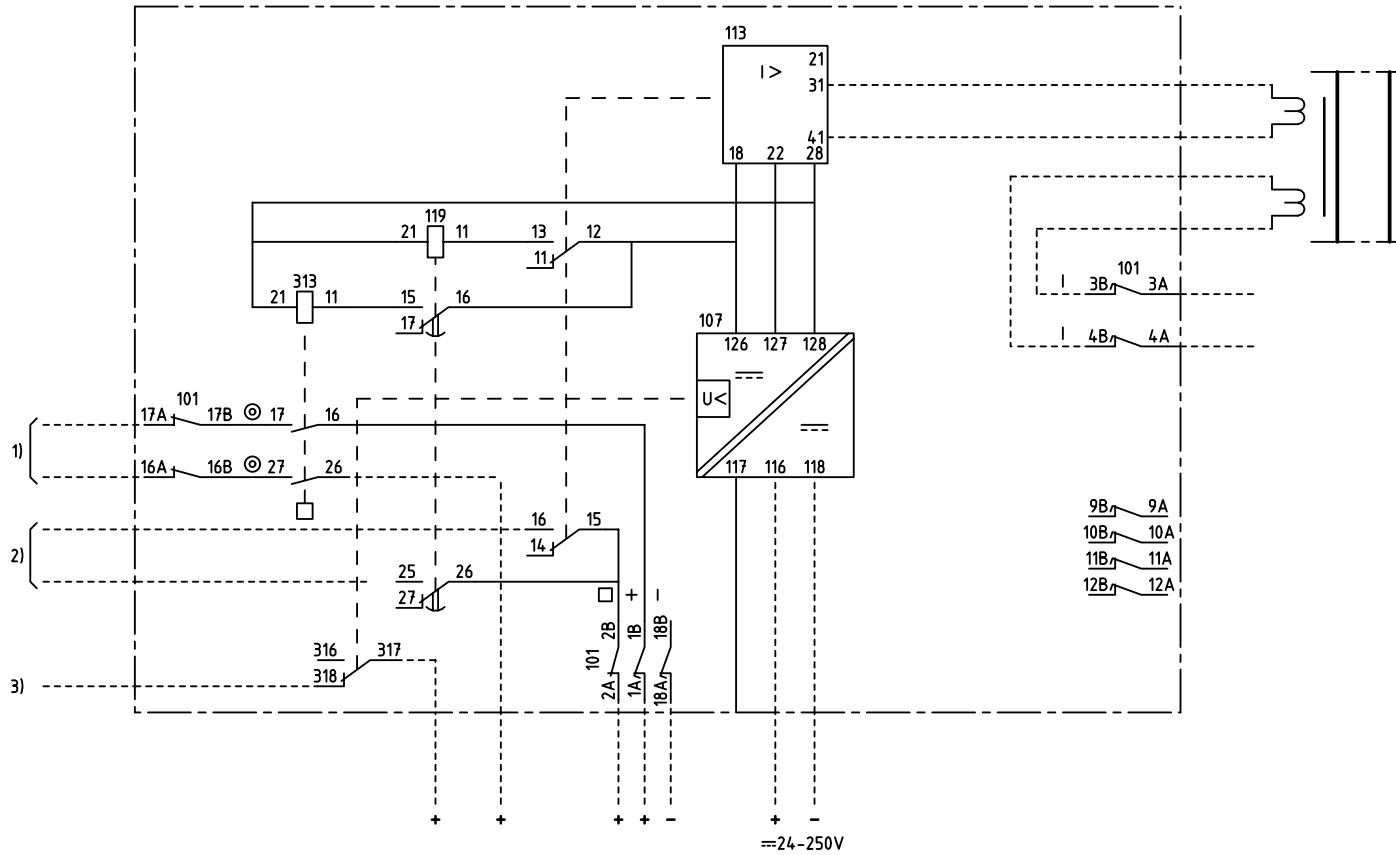


We reserve all rights in this document and in the information contained therein. Reproduction, use for other purposes or distribution without the written consent of ABB Network Partner AB is strictly forbidden.



- 101 RTXP 18
- 107 RXTUG 22H
- 113 RXIK 1
- 119 RXKL 1
- 313 RXME 18

- 1) TRIPPING OF CB:S ETC.
UTLÖSNING AV BRYTARE M.M.
- 2) ALARM ETC.
SIGNAL M.M.
- 3) LOSS OF EL
BORTFALL AV EL

- 9B → 9A
- 10B → 10A
- 11B → 11A
- 12B → 12A

ELCAD ID TPTD/render

DATE 2004-06-234:42

RK 649 101-BA

Prepared 95-11-13 C-H EINVALL/J ERIKSSON		CIRCUIT DIAGRAM/KRETSSCHEMA			
Approved 96-06-11 Peter Jenøker		RARIC SHAFT CURRENT PROTECTION			
		RARIC LAGERSTRÖMSSKYDD		Resp dep TPTD Rev ind -	
Rev Ind	Revision	Reg No 7429	ABB ABB Network Partner AB		Lang 82
Based on	Pcl 890 649				7429 010-BA
					Cont