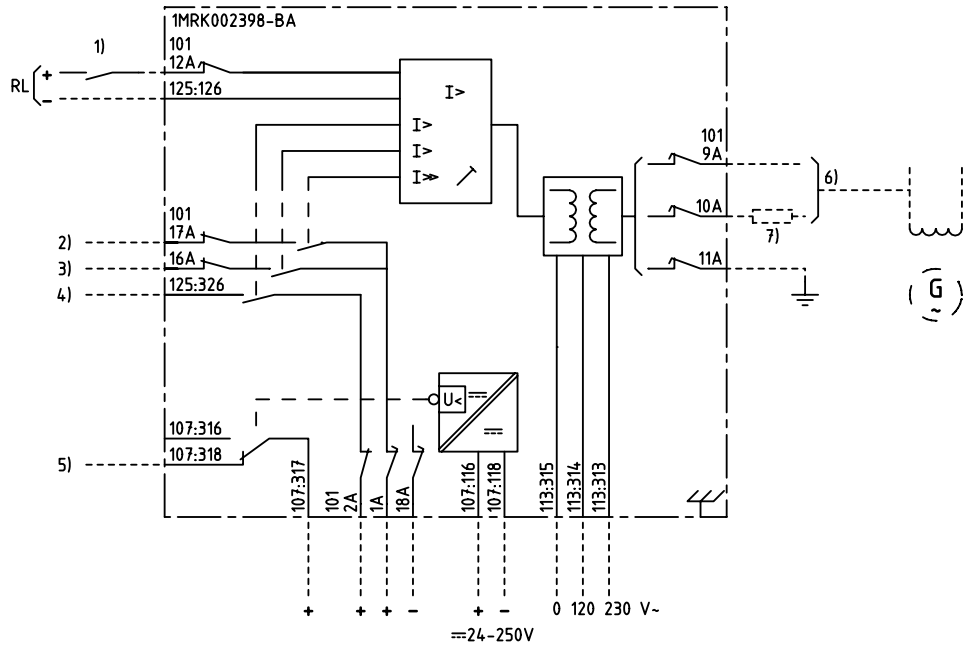


We reserve all rights in this document and in the information contained therein. Reproduction, use or distribution of this document without the written consent of ABB Automation Technologies AB is strictly forbidden.



ROTOR EARTH FAULT PROTECTION

30C			
101	107	113	125
4U			

- 101 RTXP 18
- 107 RXTUG 22H
- 113 RXTTE 4
- 125 RXIDK 2H

- 1) ENABLE, BLOCK OR INCREASED OP.VALUE
- 2) HIGH SET STAGE, TRIPPING
- 3) LOW SET STAGE, TRIPPING
- 4) LOW SET STAGE, START
- 5) LOSS OF AUXILIARY VOLTAGE
- 6) CONNECTION TO THE FIELD WINDING EITHER DIRECTLY OR VIA A PROTECTIVE RESISTOR (7)
- 7) PROTECTIVE RESISTOR MOUNTED CLOSE TO THE GENERATOR, WHEN NEEDED

Customer drw no	Prep. PTUA/ TPTD Eriksson Jill 2004-03-01	Connection Diagram	Conf. sh/ No of sh
	Appr. PTUA/ SA/TD Jonsson Patrik 2004-03-08		
	Resp. dept PTUA/ TPTD	Document number	Lang.
Based on	<b>ABB</b> ABB Automation Technologies	<b>1MRK002398-BAA</b>	en
		Rev.	Sheet
		-	1

Document status: Approved