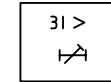
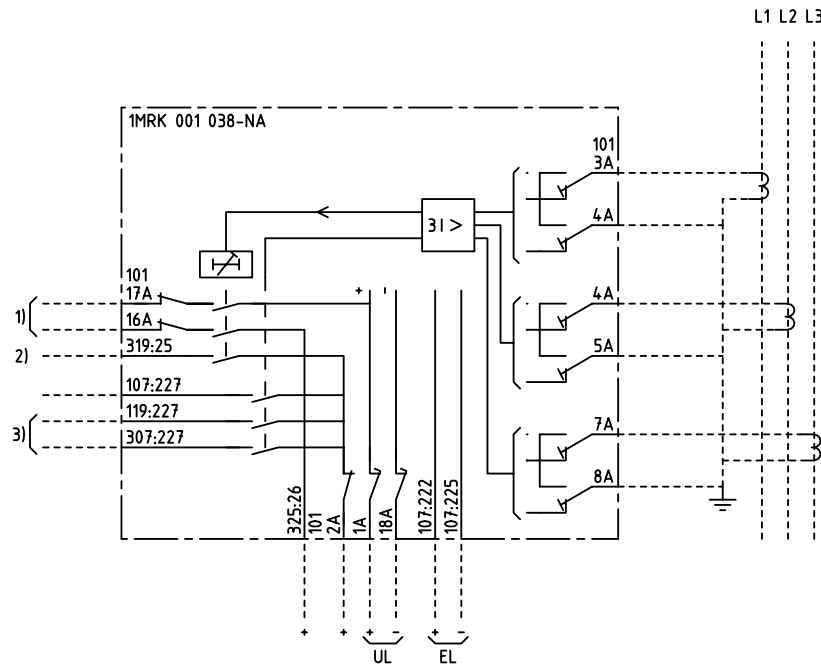


We reserve all rights in this document and in the information contained therein. Reproduction, use for other than intended purposes, or distribution without the written consent of ABB Network Partner AB is strictly forbidden.



31 >  
 3-PHASE OVERCURRENT PROTECTION, DELAYED  
 3-FAS ÖVERSTRÖMSSKYDD, FÖRDRÖJT

- 1) TRIPPING ETC.  
UTLÖSNING M.M.
- 2) ALARM ETC.  
SIGNAL M.M.
- 3) BLOCKING, INDICATION ETC.  
BLOCKERING, INDIKERING M.M.

ELCAD ID PS/render

DATE 2004-06-234:30

Issued in ARCADE

		Prepared 97-06-27	C-H EINVALL/JE	TERMINAL DIAGRAM/UTTAGSSHEMA			
		Approved 97-07-04	P JENÄKER	RAIG 3-PHASE OVERCURRENT PROTECTION			
				RAIG 3-FAS ÖVERSTRÖMSSKYDD		Resp dep PS	Rev Ind -
Rev Ind	Revision	Reg No 7411	ABB Network Partner AB		<b>1MRK 001 038-NAA</b>		Lang 82
Based on		Pcl 890,411					Sheet 1
						Cont	