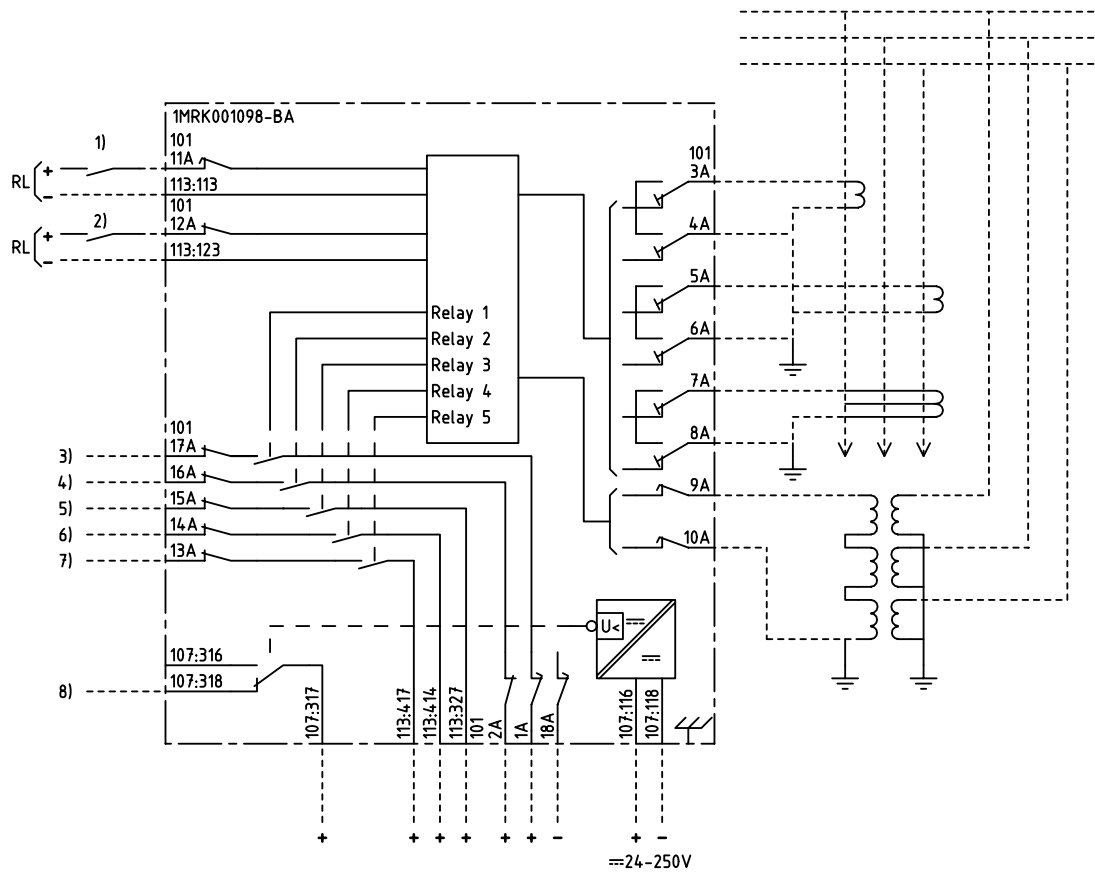
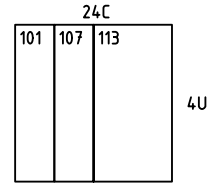


We reserve all rights in this document and in the information contained therein. Reproduction, use or distribution of this document without the written authority is strictly forbidden. © ABB Automation Technologies AB



MULTI-FUNCTION OVERCURRENT AND DIR. EARTH-FAULT PROTECTION



- 101 RTXP 18
- 107 RXTUG 22H
- 113 RXHL 421

- 1), 2) BINARY INPUT, PROGRAMMABLE
- 3)-7) RELAY OUTPUTS 1-5, PROGRAMMABLE FUNCTION
- 8) LOSS OF AUXILIARY VOLTAGE

PROGRAMMABLE FUNCTIONS FOR BINARY INPUTS:
 BLOCKING/ENABLING I>, I>>, I>>>, DIR. IN>, UN>
 THERMAL RESET 0, BREAKER FAILURE EXTERNAL START,
 CHANGING OF CHARACTERISTIC ANGLE α 0° TO 90° OR -90° TO 0°;
 ALTERNATIVE SETTINGS; RESET OF LED INDICATIONS.

PROGRAMMABLE FUNCTIONS FOR BINARY OUTPUTS:
 START AND TRIP I>, I>>, I>>>, DIR. IN>, UN>;
 THERMAL ALARM 0; THERMAL TRIP 0;
 BREAKER FAILURE RE-TRIP; BREAKER FAILURE BACK-UP TRIP;
 ALTERNATIVE SETTINGS; IN SERVICE

BINARY INPUT OPTIONS:
 CIRCUIT-BREAKER CLOSED; CIRCUIT-BREAKER READY;
 BLOCKING OF AUTORECLOSING; AUTORECLOSING EXTERNAL ON.

BINARY OUTPUT OPTIONS:
 AUTORECLOSING ON; AUTORECLOSING READY;
 AUTORECLOSING STARTED;
 AUTORECLOSING PULSE TO CIRCUIT-BREAKER;
 AUTORECLOSING UNSUCCESSFUL; INTENTIONAL OVERREACH TRIP.

Customer drw no	Prep. PTUA/ TPTD H Raza/JE 2000-05-29	Connection Diagram	Conf. sh/ No of sh
	Appr. PTUA/ Roger Karlsson 2000-05-29		
	Resp. dept PTUA/ TPTD	Document number	Sheet
Based on			
ABB Automation Technologies		Lang. en	Rev. A

Document status: Approved