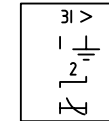
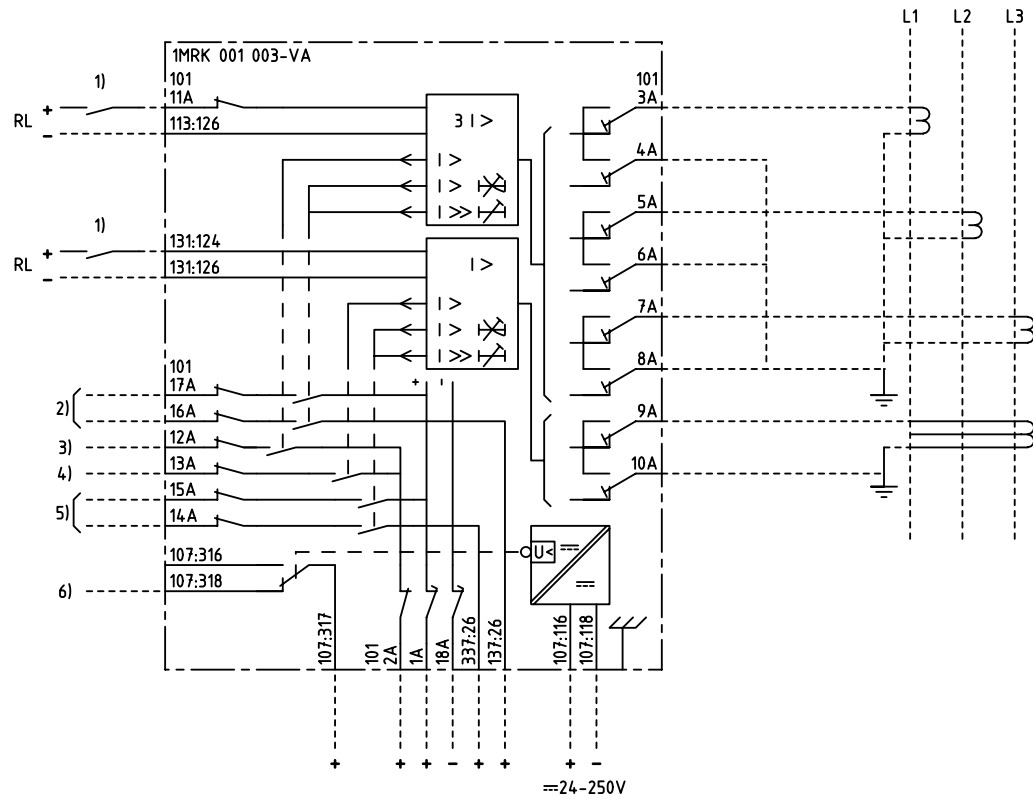


We reserve all rights in this document and in the information contained therein. Reproduction, use or distribution of this document without the written consent of ABB Automation Technologies AB is strictly forbidden.



3-PHASE OVERCURRENT AND  
EARTH-FAULT PROTECTION  
3-FAS ÖVERSTRÖMS- OCH  
JORDFELSSKYDD

42C							4U
101	107	113	119	125	131	137	
						337	

101	RTXP 18
107	RXTUG 22H
113 119	RXIDK 2H
125 131	RXIDK 2H
137 337	RXME 18

- 1) ENABLE, BLOCK OR INCREASED OP.VALUE  
FRIGIVNING, BLOCKERING ELLER ÖKAT  
FUNKTIONSVÄRDE
- 2) OVERCURRENT, TRIPPING  
ÖVERSTRÖM, UTLÖSNING
- 3) START OVERCURRENT  
START ÖVERSTRÖM
- 4) START EARTH-FAULT  
START JORDFEL
- 5) EARTH-FAULT, TRIPPING  
JORDFEL, UTLÖSNING
- 6) LOSS OF AUXILIARY VOLTAGE  
BORTFALL AV HJÄLPSPÄNNING

Customer drw no	Prep. PTUA/ TPTD H Raza/JE 1999-09-29	Connection Diagram		Issued in	ARCADE
	Appr. PTUA/ Roger Karlsson 1999-09-29	RAIDK 4 Overcurrent prot			No of sh
	Resp. dept PTUA/ TPTD	Document number	Lang.	Rev.	Sheet
Based on	<b>ABB</b> ABB Automation Technologies	<b>1MRK001003-VAA</b>	en	2	1

Document status: Approved