

We reserve all rights in this document and in the information contained therein. Reproduction, use for other than intended purposes, or distribution without the written consent of ABB Network Partner AB is strictly forbidden.

1 2 3 4 5 6

A

B

C

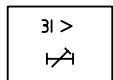
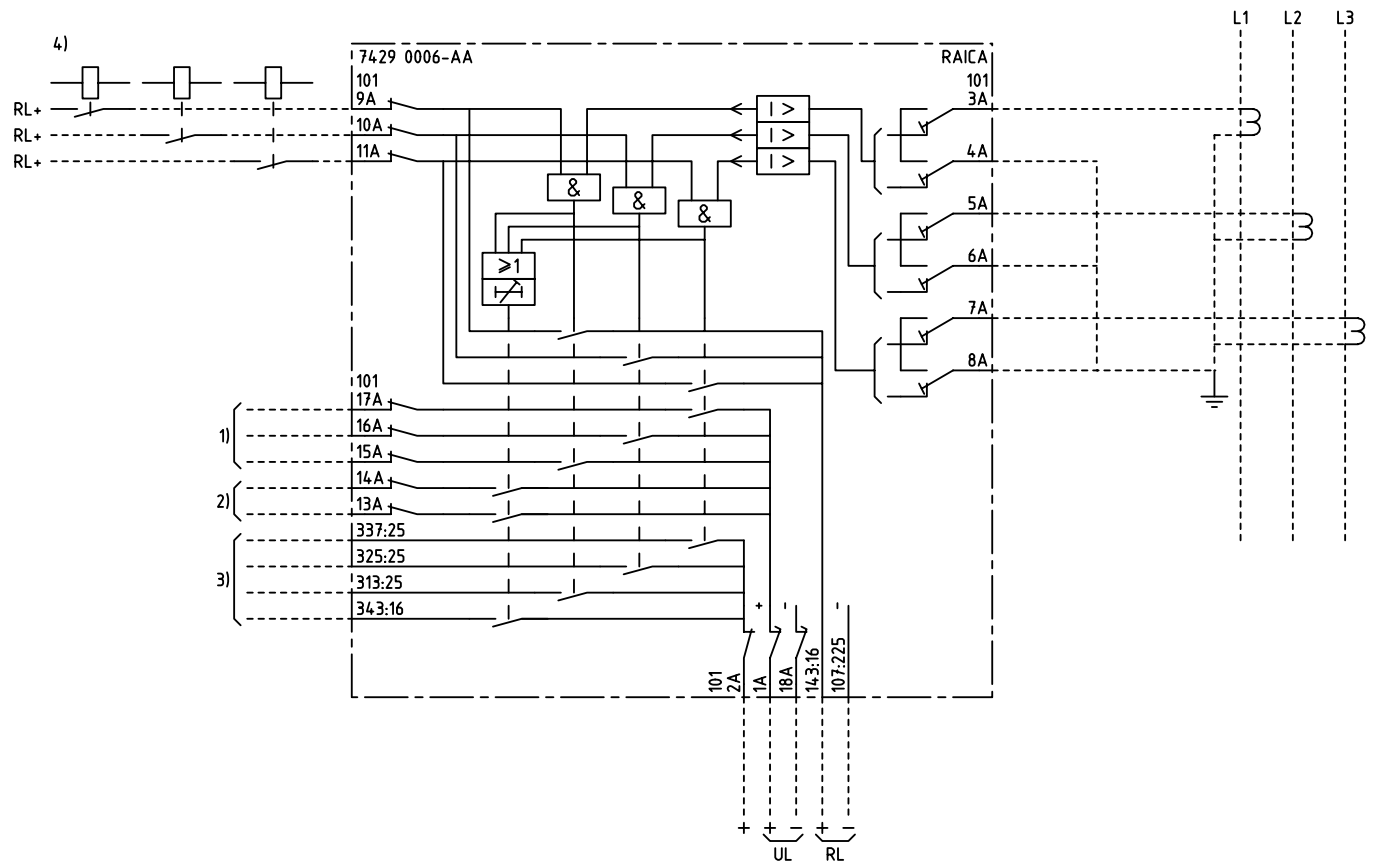
D

A

B

C

D



BREAKER FAILURE PROTECTION
 WITH SINGLE PHASE TRIPPING
 BRYTARFELSSKYDD MED
 ENFASUTLÖSNING

- 1) TRIPPING OF PRIMARY CIRCUIT BREAKER
UTLÖSNING AV PRIMÄRBRYTARE
- 2) TRIPPING OF BACK-UP CIRCUIT BREAKERS
UTLÖSNING AV RESERVBRYTARE
- 3) ALARM ETC.
SIGNAL M.M
- 4) TRIP RELAY IN ANOTHER PROTECTION
UTLÖSNINGSRELÄ I ANNAT SKYDD

ELCAD ID TPTD/render

DATE 2004-06-224:20

Issued in ARCADE

Prepared 82.11 C-H EINVALL		TERMINAL DIAGRAM/UTTAGSCHEMA			
Approved 82.11 Peter Jenøker		RAICA BREAKER FAILURE PROTECTION			
		BRYTARFELSSKYDD		Resp dep TPTD	Rev ind 4 96.45
Rev Ind	Revision	Reg No 7429	ABB ABB Network Partner AB		Lang 82
Based on	Pct 890.651				7429 0006-AAA
					Cont

1 2 3 4 5 6