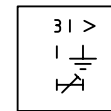
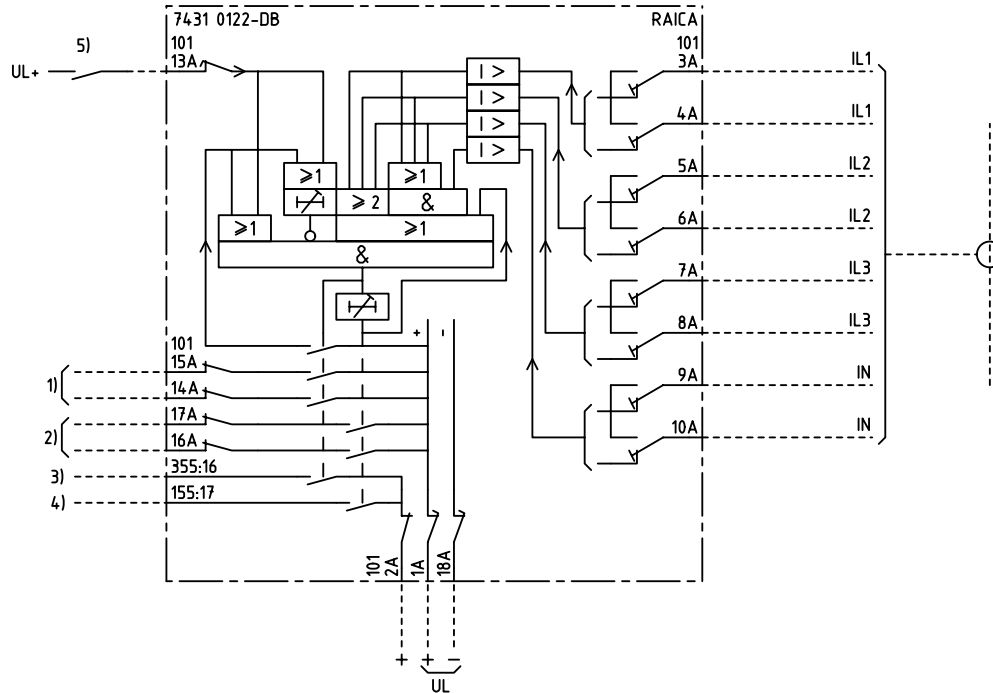


We reserve all rights in this document and in the information contained therein. Reproduction, use for other purposes or distribution without the written consent of ABB Network Partner AB is strictly forbidden.



BREAKER FAILURE PROTECTION
 WITH FOUR CURRENT RELAYS
 BRYTARFELSSKYDD MED FYRA STRÖM-
 RELÄER

- 1) TO PRIMARY CIRCUIT BREAKERS TRIPPING RELAY
TILL PRIMÄRBRYTARENS UTLÖSNINGSRELÄ
- 2) TRIPPING OF BACK-UP CIRCUIT BREAKERS
UTLÖSNING AV RESERVBRYTARE
- 3) ALARM ETC. SIGNAL M.M
- 4) ALARM ETC. SIGNAL, SFS, BFS M.M
- 5) TRIPPING CONTACT
UTLÖSNINGSKONTAKT

ELCAD ID TPTD/render

DATE 2004-06-232:42

Issued in ARCADE

Prepared 81.13 C-H EINVALL		TERMINAL DIAGRAM/UTTAGSSCHEMA			
Approved 81.13 Peter Jenøker		RAICA BREAKER FAILURE PROTECTION			
		BRYTARFELSSKYDD		Resp dep TPTD Rev Ind 4 96.45 Lang 82	
Rev Ind	Revision	Reg No 7431	ABB ABB Network Partner AB		7431 0122-DBA
Based on		Pcl 890.651			
					Cont

1

2

3

4

5

6