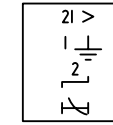
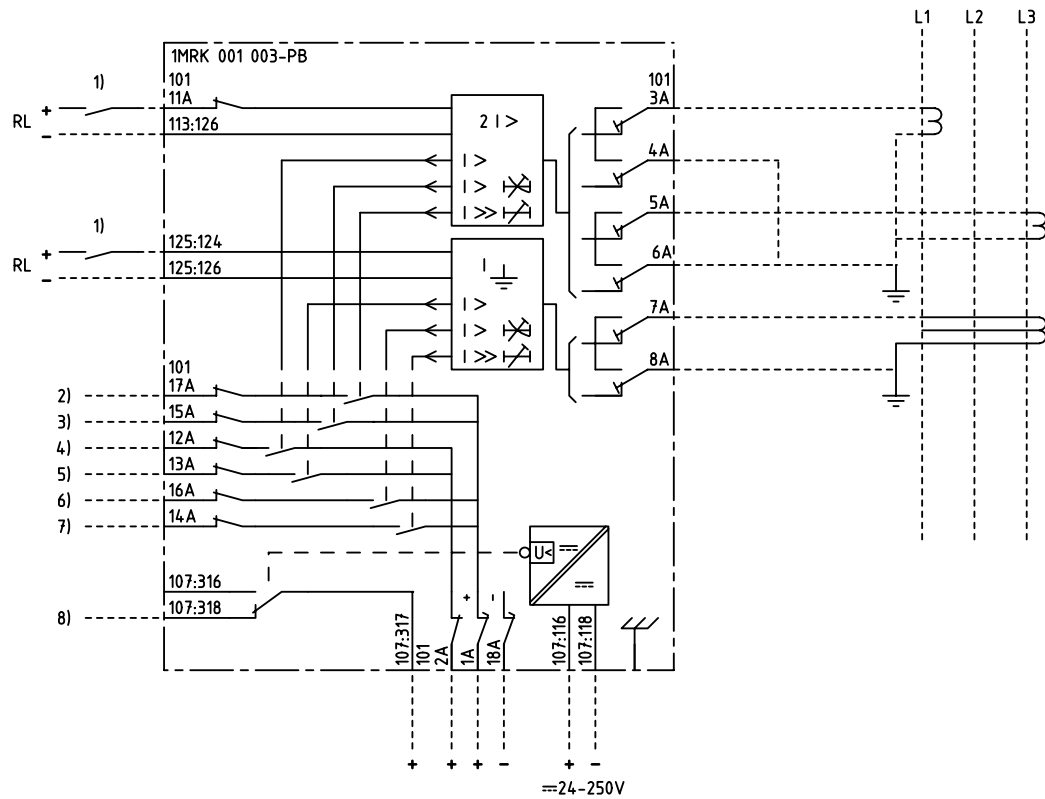
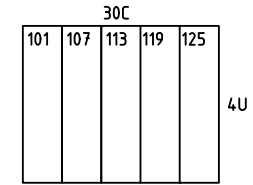


We reserve all rights in this document and in the information contained therein. Reproduction, use for other purposes or disclosure without the written consent of ABB Automation Technologies AB is strictly forbidden.



2-PHASE OVERCURRENT AND EARTH-FAULT PROTECTION

2-FAS ÖVERSTRÖMS- OCH JORDFELSSKYDD



101 RTXP 18
107 RXTUG 22H
113 119 125 RXIDK 2H

- 1) ENABLE, BLOCK OR INCREASED OP.VALUE
FRIGIVNING, BLOCKERING ELLER ÖKAT
FUNKTIONSVÄRDE
- 2) HIGH SET STAGE, TRIPPING
HÖGSTRÖMSSTEG, UTLÖSNING
- 3) LOW SET STAGE, TRIPPING
LÅGSTRÖMSSTEG, UTLÖSNING
- 4) START OVERCURRENT
START ÖVERSTRÖM
- 5) START EARTH-FAULT
START JORDFEL
- 6) LOW SET STAGE, EARTH-FAULT TRIPPING
LÅGSTRÖMSSTEG, JORDFEL UTLÖSNING
- 7) HIGH SET STAGE, EARTH-FAULT TRIPPING
HÖGSTRÖMSSTEG, JORDFEL UTLÖSNING
- 8) LOSS OF AUXILIARY VOLTAGE
BORTFALL AV HJÄLPSPÄNNING

Customer drw no	Prep. PTUA/ TPTD H Raza/JE 1999-09-29	Connection Diagram	Issued in ABB	No of sh	
	Appr. PTUA/ Roger Karlsson 1999-09-29				RAIDK 3 Overcurrent prot
	Resp. dept PTUA/ TPTD	Document number	Lang.	Rev.	Sheet
Based on	ABB ABB Automation Technologies	1MRK001003-PBA	en	1	1

Document status: Approved