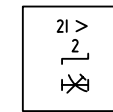
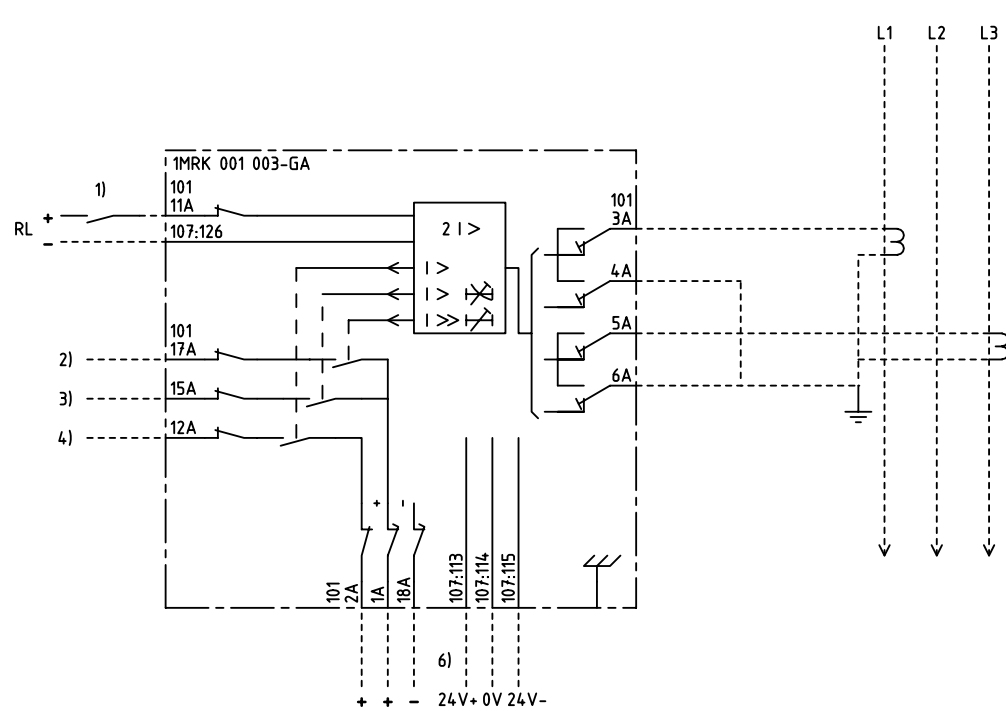


We reserve all rights in this document and in the information contained therein. Reproduction, use for other than intended purposes without the written consent of ABB Network Partner AB is strictly forbidden.



2-PHASE OVERCURRENT PROTECTION
2-FAS ÖVERSTRÖMSKYDD

18C		
101	107	113
4U		

101 RTXP 18
107,113 RXIDK 2H

- 1) ENABLE, BLOCK OR INCREASED OP.VALUE
FRIGIVNING, BLOCKERING ELLER ÖKAT
FUNKTIONSVÄRDE
- 2) HIGH SET STAGE, TRIPPING
HÖGSTRÖMSSTEG, UTLÖSNING
- 3) LOW SET STAGE, TRIPPING
LÅGSTRÖMSSTEG, UTLÖSNING
- 4) LOW SET STAGE, START
LÅGSTRÖMSSTEG, START
- 6) MUST BE ENERGIZED FROM RXTUG 21/22H
MÅSTE MATAS FRÅN RXTUG 21/22H

ELCAD ID PS/render

DATE 2004-06-2122:34

Issued in ARCADE

Prepared 97-11-14 H RAZA/JE		TERMINAL DIAGRAM/UTTAGSSCHEMA		Resp dep PS		Rev ind -		Lang 82	
Approved 98-02-05 P JENÄKER		RAIDK 2 OVERCURRENT PROTECTION		101		107		113	
		RAIDK 2 ÖVERSTRÖMSKYDD		ABB		ABB Network Partner AB		1MRK 001 003-GAA	
Rev Ind	Revision	Reg No	7411	Sheet		1			
Based on		Pcl	890 474	Cont					