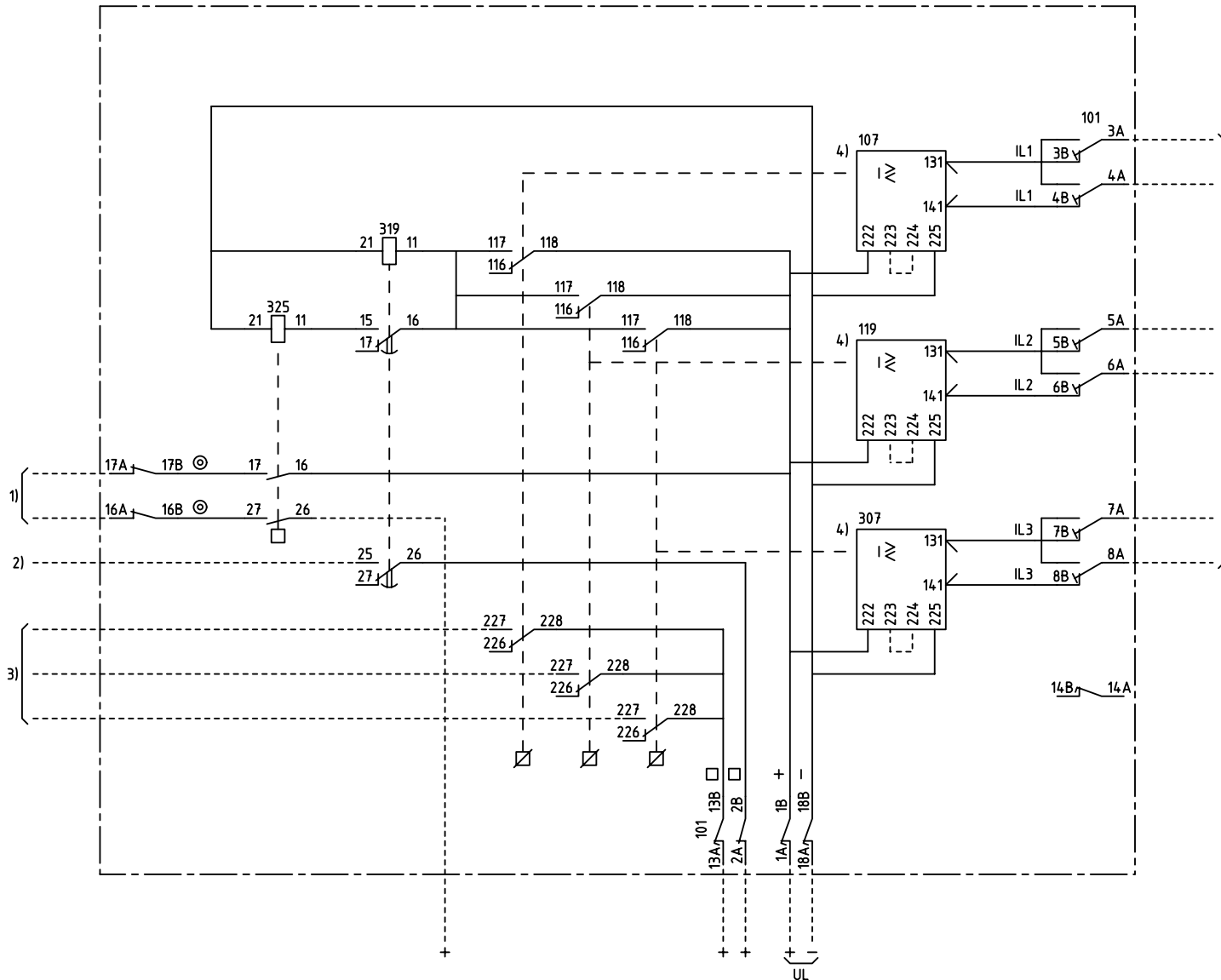


We reserve all rights in this document and in the information contained therein. Reproduction, use for other purposes or distribution without the written consent of ABB Network Partner AB is strictly forbidden.



3-PHASE OVERCURRENT PROTECTION, DELAYED
 3-FAS ÖVERSTRÖMSSKYDD, FÖRDRÖJT

30C			
101	107	119	4U
	307	319 325	

101	RTXP 18
107 119 307	RXIG 2
319	RXKL 1
325	RXME 18

- 1) TRIPPING ETC. UTLÖSNING M.M.
- 2) ALARM ETC. SIGNAL M.M.
- 3) BLOCK INDICATING ETC. BLOCKERING, INDIKERING M.M.
- 4) 223-224 CONNECTED AT UL = —24 RESP—110-125V
223-224 FÖRBUNDNA VID UL = —24 RESP—110-125V

ELCAD ID PAT/render		DATE 2004-06-224:57		RK 651 010-BB		Issued in ARCADE	
		Prepared 73 34	C-H EINVALL		CIRCUIT DIAGRAM/KRETSSCHEMA		
		Approved 74 34	P JENÄKER		OVERCURRENT PROTECTION		
					ÖVERSTRÖMSSKYDD		
Rev Ind	Revision	Reg No 7431			Resp dep PAT	Rev ind 6 96 45	Lang 82
Based on		Pcl 890.651			7431 0011-BB		Sheet 1
					ABB ABB Network Partner AB		Cont