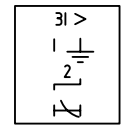
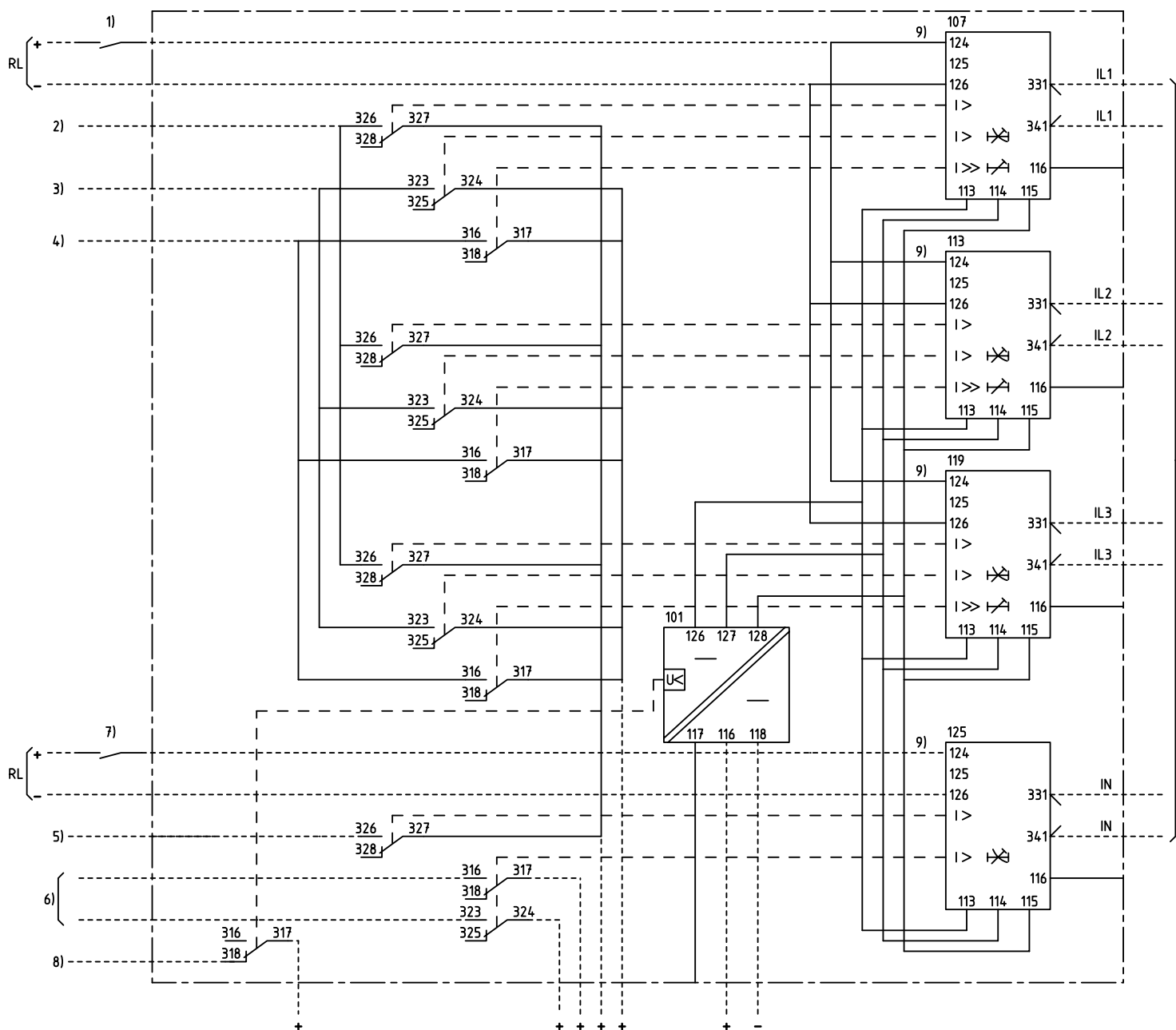
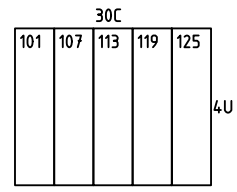


We reserve all rights in this document and in the information contained therein. Reproduction, use for other than intended purposes, or distribution without the written consent of ABB Network Partner AB is strictly forbidden.



3-PHASE OVERCURRENT AND EARTH-FAULT PROTECTION
3-FAS ÖVERSTRÖMSKYDD OCH JORDFELSSKYDD



101 RXTUG 22H
107,113,119 RXIDK 21H
125 RXIDG 21H

- 1) ENABLE, BLOCK OR INCREASED OP.VALUE FRIGIVNING, BLOCKERING ELLER ÖKAT FUNKTIONSVÄRDE
- 2) START, OVERCURRENT START, ÖVERSTRÖM
- 3) LOW SET STAGE, TRIPPING LÅGSTRÖMSSTEG, UTLÖSNING
- 4) HIGH SET STAGE, TRIPPING HÖGSTRÖMSSTEG, UTLÖSNING
- 5) START, EARTH-FAULT START, JORDFEL
- 6) EARTH-FAULT, TRIPPING JORDFEL, UTLÖSNING
- 7) ENABLE OR BLOCK FRIGIVNING ELLER BLOCKERING
- 8) LOSS OF AUXILIARY VOLTAGE BORTFALL AV HJÄLPSPÄNNING
- 9) CONNECTED FOR RL=110-220V DC CHANGE FROM 124 TO 125 AT RL=48-60V DC KOPPLAD FÖR RL=110-220V DC ÄNDRA FRÅN 124 TO 125 VID RL=48-60V DC

ELCAD ID PAT/render DATE 2004-06-2219:54 + + + + ==24-250V 1MRK 001 006-YA Issued in ARCADE

Prepared 96-09-23 H RAZA/L OLSTAM		CIRCUIT DIAGRAM/KRETSSCHEMA		Resp dep PAT		Rev ind 1 97.12		Lang 82	
Approved 96-12-02 P JENÄKER		RACIK 4 OVERCURRENT AND E/F PROTECTION		Rev dep PAT		Rev ind 1 97.12		Lang 82	
Rev Ind Revision		Reg No 74.11		Rev dep PAT		Rev ind 1 97.12		Lang 82	
Based on		Pct 890.616		Rev dep PAT		Rev ind 1 97.12		Lang 82	
				ABB ABB Network Partner AB		1MRK 001 007-YA		Sheet 1	
								Cont	