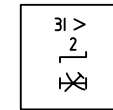
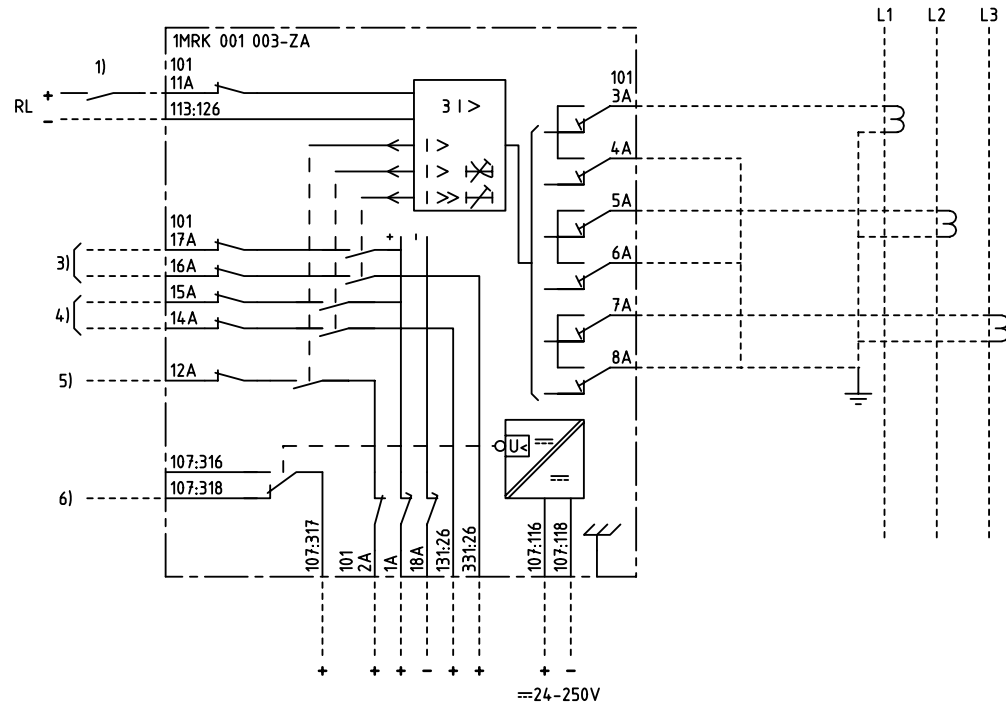


We reserve all rights in this document and in the information contained therein. Reproduction, use for other than intended purposes, without the written consent of ABB Network Partner AB is strictly forbidden.



3-PH OVERCURRENT PROTECTION
3-FAS ÖVERSTRÖMSSKYDD

- 1) ENABLE, BLOCK OR INCREASED OP.VALUE
FRIGIVNING, BLOCKERING ELLER ÖKAT
FUNKTIONSVÄRDE
- 3) HIGH SET STAGE, TRIPPING
HÖGSTRÖMSSTEG, UTLÖSNING
- 4) LOW SET STAGE, TRIPPING
LÅGSTRÖMSSTEG, UTLÖSNING
- 5) START OVERCURRENT
START ÖVERSTRÖM
- 6) LOSS OF AUXILIARY VOLTAGE
BORTFALL AV HJÄLPPSPÄNNING

ELCAD ID PAT/render

DATE 2004-06-224:44

Issued in ARCADE

| | | | | | | | | | |
|-------------------------------------|--|--------------------------------|--|--------------|--|------------------|--|---------|--|
| Prepared 96-05-03 H RAZA/J ERIKSSON | | TERMINAL DIAGRAM/UTTAGSSCHEMA | | Resp dep PAT | | Rev Ind 1 96.49 | | Lang 82 | |
| Approved 96-06-19 P JENÄKER | | RAIDK 3 OVERCURRENT PROTECTION | | ABB | | 1MRK 001 003-ZAA | | Sheet 1 | |
| Rev Ind | | Revision | | Reg No 7411 | | Pcl 890 474 | | Cont | |

1

2

3

4

5

6