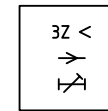
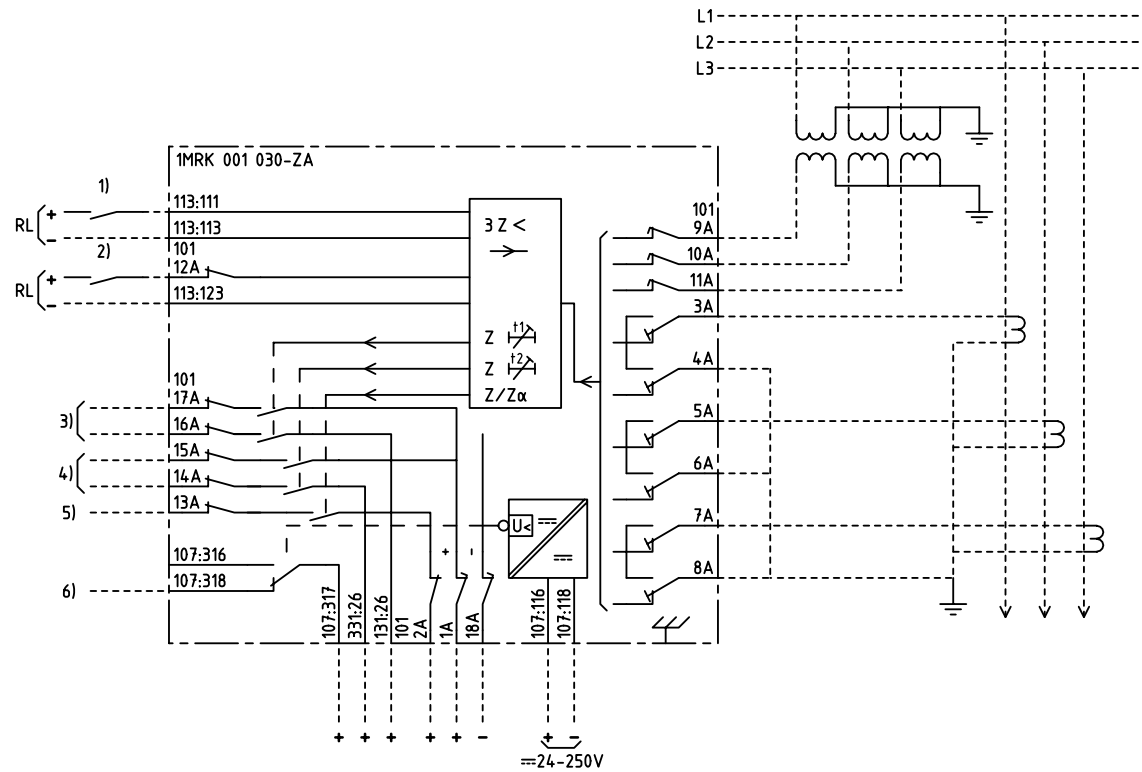


We reserve all rights in this document and in the information contained therein. Reproduction, use for other than intended purposes, or distribution without the written consent of ABB Network Partner AB is strictly forbidden.



3-PH UNDERIMPEDANCE PROTECTION
 DELAYED
 3-FAS UNDERIMPEDANDSSKYDD
 FÖRDRÖJT

- 1) BLOCKING OF ALL FUNCTIONS EXCEPT $Z\alpha <$ OR BLOCKING OF TRIP Z^{12} OR ENABLE OF $Z/Z\alpha <$ OR ACCELERATION OF Z^{12} .
BLOKERING AV ALLA FUNKTIONER UTOM $Z\alpha <$ ELLER BLOKERING AV UTLÖSNING Z^{12} ELLER FRIGIVNING AV $Z/Z\alpha <$ ELLER ACCELERATION AV Z^{12}
- 2) RESETTING OF INDICATION
ÅTERSTÄLLNING AV INDIKERING
- 3) UNDERIMPEDANCE, TRIPPING STAGE 1
UNDERIMPEDANS, UTLÖSNING STEG 1
- 4) UNDERIMPEDANCE, TRIPPING STAGE 2
UNDERIMPEDANS, UTLÖSNING STEG 2
- 5) DIRECTIONAL UNDERIMPEDANCE, START
RIKTAD UNDERIMPEDANS, START
- 6) LOSS OF AUXILIARY VOLTAGE
BORTFALL AV HJÄLPPSPÄNNING

ELCAD ID PS/render

DATE 2004-10-076:10

Issued in ARCADE

Prepared 97-04-03 H RAZA/JE		TERMINAL DIAGRAM/UTTAGSSCHEMA			
Approved 97-04-25 P JENÄKER		RAZK 213 3-PHASE UNDERIMPEDANCE PROT.			
		RAZK 213 3-FAS UNDERIMPEDANDSSKYDD		Resp dep PS Rev ind 2 97.46 Lang 82	
Rev Ind	Revision	Reg No	7411	Sheet 1	
Based on		Pcl	890.557	Cont	

ABB ABB Network Partner AB

1MRK 001 030-ZAA