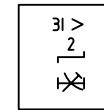
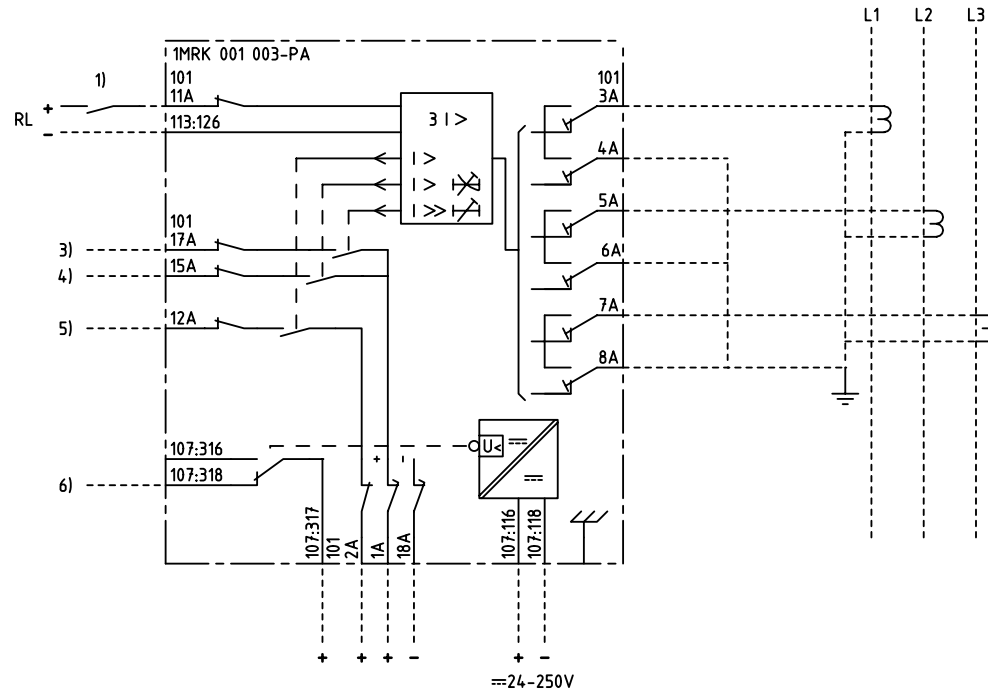


We reserve all rights in this document and in the information contained therein. Reproduction, use for other than intended purposes, or distribution without the written consent of ABB Network Partner AB is strictly forbidden.



3-PH OVERCURRENT PROTECTION  
3-FAS ÖVERSTRÖMSSKYDD

- 1) ENABLE, BLOCK OR INCREASED OP.VALUE  
FRIGIVNING, BLOCKERING ELLER ÖKAT  
FUNKTIONSVÄRDE
- 3) HIGH SET STAGE, TRIPPING  
HÖGSTRÖMSSTEG, UTLÖSNING
- 4) LOW SET STAGE, TRIPPING  
LÅGSTRÖMSSTEG, UTLÖSNING
- 5) START OVERCURRENT  
START ÖVERSTRÖM
- 6) LOSS OF AUXILIARY VOLTAGE  
BORTFALL AV HJÄLPSPÄNNING

ELCAD ID PAT/render

DATE 2004-09-299:40

Issued in ARCADE

Prepared 96-05-03 H RAZA/J ERIKSSON		TERMINAL DIAGRAM/UTTAGSSCHEMA		Resp dep PAT		Rev Ind 1 96.49		Lang 82	
Approved 96-06-19 P JENÄKER		RAIDK 3 OVERCURRENT PROTECTION		ABB Network Partner AB		1MRK 001 003-PAA		Sheet 1	
Rev Ind Revision		Reg No 7411		Based on		Pcl 890 474		Cont	

1

2

3

4

5

6