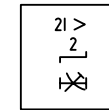
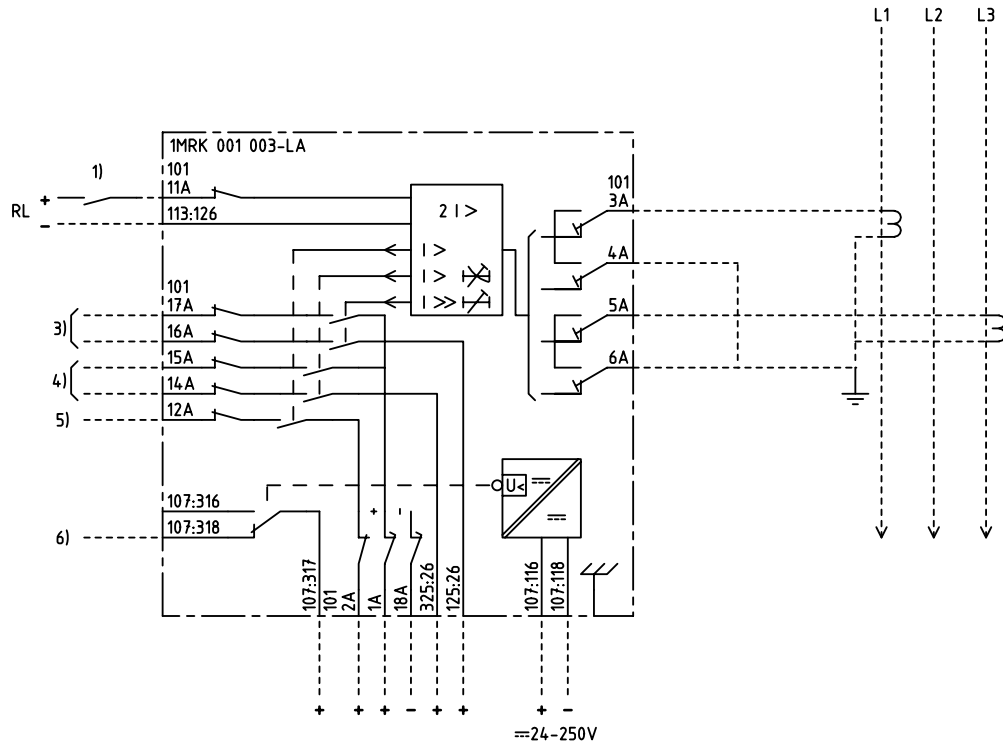


We reserve all rights in this document and in the information contained therein. Reproduction, use for other than intended purposes, or distribution without the written consent of ABB Network Partner AB is strictly forbidden.



2-PHASE OVERCURRENT PROTECTION
2-FAS ÖVERSTRÖMSSKYDD

- 1) ENABLE, BLOCK OR INCREASED OP.VALUE
FRIGIVNING, BLOCKERING ELLER ÖKAT
FUNKTIONSVÄRDE
- 3) HIGH SET STAGE, TRIPPING
HÖGSTRÖMSSTEG, UTLÖSNING
- 4) LOW SET STAGE, TRIPPING
LÅGSTRÖMSSTEG, UTLÖSNING
- 5) LOW SET STAGE, START
LÅGSTRÖMSSTEG, START
- 6) LOSS OF AUXILIARY VOLTAGE
BORTFALL AV HJÄLPSPÄNNING

ELCAD ID PAT/render

DATE 2004-06-234:25

Issued in ARCADE

| | | | | | | | | | |
|-------------------------------------|----------|--------------------------------|---------|------------------------|--|------------------|--|---------|---|
| Prepared 96-05-03 H RAZA/J ERIKSSON | | TERMINAL DIAGRAM/UTTAGSSCHEMA | | Resp dep PAT | | Rev Ind - | | Lang 82 | |
| Approved 96-06-19 P JENÄKER | | RAIDK 2 OVERCURRENT PROTECTION | | M | | M | | M | |
| | | RAIDK 2 ÖVERSTRÖMSSKYDD | | M | | M | | M | |
| Rev Ind | Revision | Reg No | 7411 | ABB Network Partner AB | | 1MRK 001 003-LAA | | Sheet | 1 |
| Based on | | Pcl | 890 474 | | | | | Cont | |