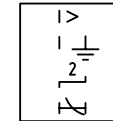
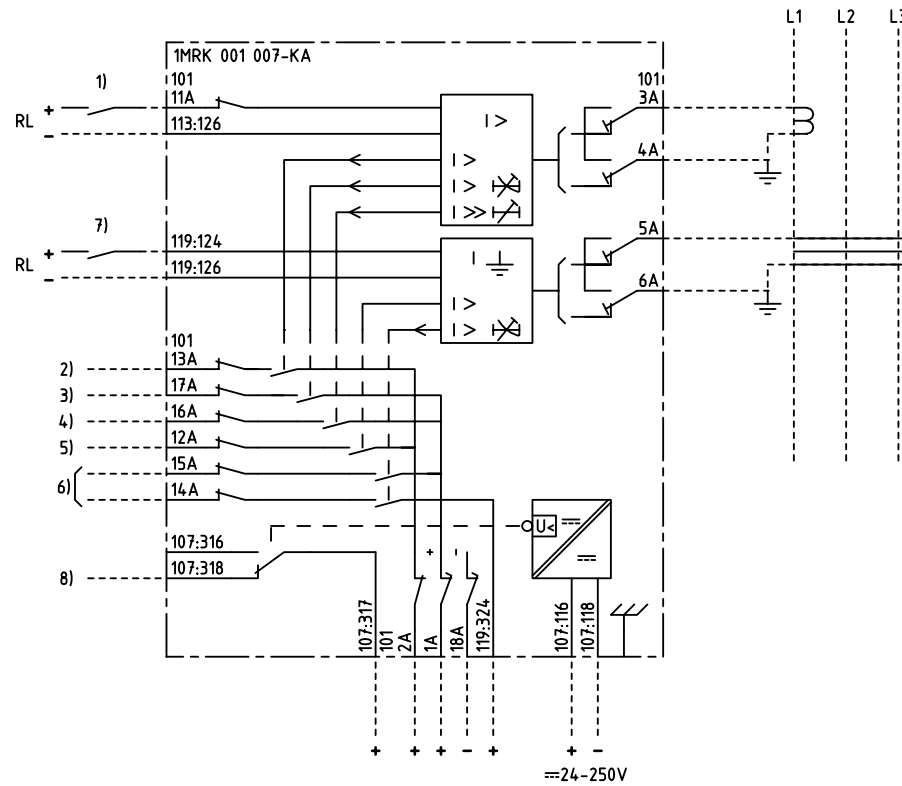


We reserve all rights in this document and in the information contained therein. Reproduction, use for other than intended purposes, or distribution without the written consent of ABB Network Partner AB is strictly forbidden.



1-PHASE OVERCURRENT AND EARTH-FAULT PROTECTION  
1-FAS ÖVERSTRÖMS OCH JORDFELSSKYDD

24C				4U
101	107	113	119	

- 101 RTXP 18
- 107 RXTUG 22H
- 113 RXIDK 2H
- 119 RXIDG 21H

- 1) ENABLE, BLOCK OR INCREASED OP.VALUE  
FRIGVNING, BLOCKERING ELLER ÖKAT FUNKTIONSVÄRDE
- 2) START, OVERCURRENT  
START, ÖVERSTRÖM
- 3) LOW SET STAGE, TRIPPING  
LÅGSTRÖMSSTEG, UTLÖSNING
- 4) HIGH SET STAGE, TRIPPING  
HÖGSTRÖMSSTEG, UTLÖSNING
- 5) START, EARTH-FAULT  
START, JORDFEL
- 6) EARTH-FAULT, TRIPPING  
JORDFEL, UTLÖSNING
- 7) ENABLE OR BLOCK  
FRIGVNING ELLER BLOCKERING
- 8) LOSS OF AUXILIARY RELAY  
BORTFALL AV HJÄLPSPÄNNING

ELCAD ID PS/render

DATE 2004-06-227:52

Issued in ARCADE

Prepared 96-06-18 H RAZA/JE		TERMINAL DIAGRAM/UTTAGSSCHEMA		Resp dep PS		Rev ind 4 98-10-20		Lang 82	
Approved 96-07-02 P JENÄKER		RACIK 2 OVERCURRENT AND E/F PROTECTION		ABB		1MRK 001 007-KAA		Sheet 1	
Rev Ind Revision		Reg No 7411		Based on		Pcl 890.616		Cont	

1

2

3

4

5

6