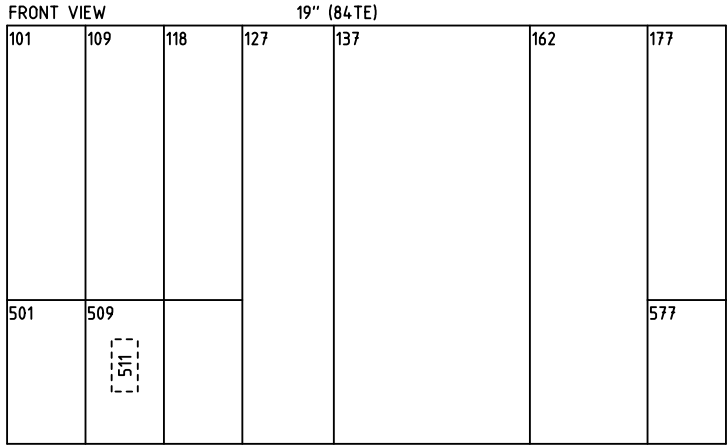


We reserve all rights in this document and in the information contained therein. Reproductions, use for other than the intended purpose, without the written consent of ABB Network Partner AB is strictly forbidden.

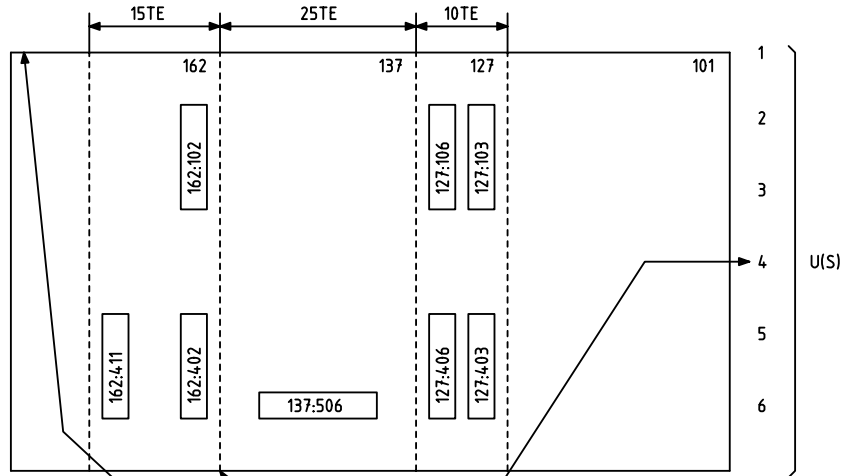


6U

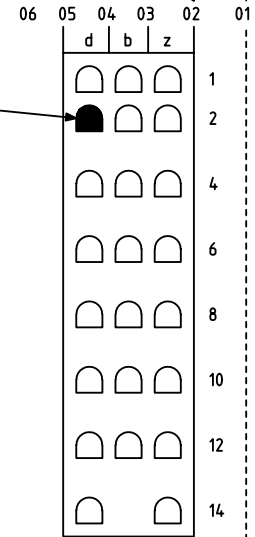
Summ
11 d/l>

- 101 RTXP 18 TEST SWITCH
- 109 RTXP 18 TEST SWITCH
- 118 RTXP 18 TEST SWITCH
- 127 RLOE 100 DIODE UNIT
- 137 RLHE 103 COMPARATOR UNIT
- 162 RLDA 103 MEASURING UNIT
- 177 RXTUG 22H DC-CONVERTOR
- 501 RXMD 1 BLOCKING RELAY
- 509 RXME 1 TRIP RELAY
- 511 RTXE DIODE BLOCK
- 577 SELECTOR SWITCH UNIT

REAR VIEW



162:4:02 D02



ELCAD ID PS/render

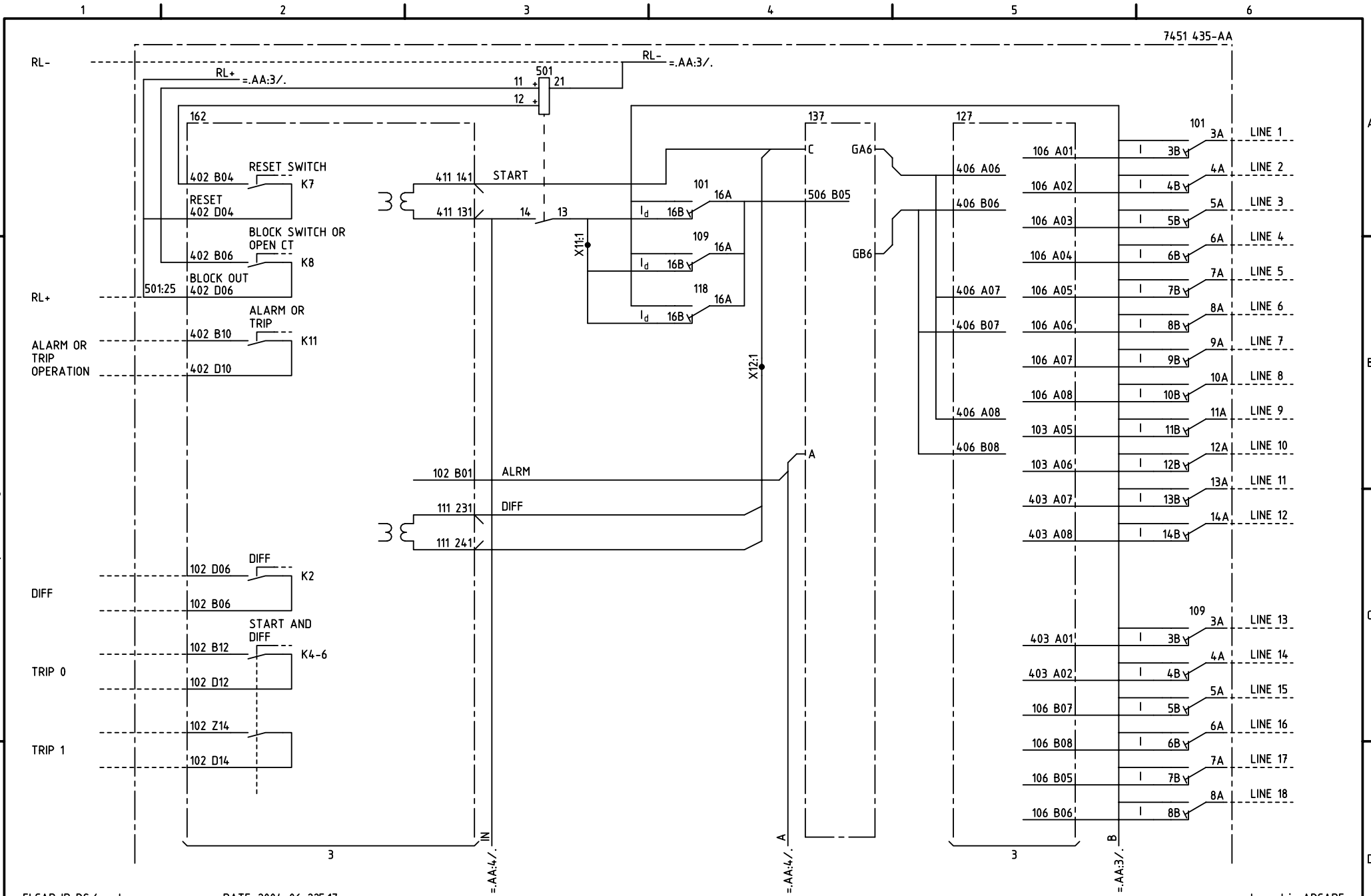
DATE 2004-06-225:17

RK 638 002-AA

Issued in ARCADE

		Prepared 93 42	N BRANDT	CIRCUIT DIAGRAM			
		Approved 93 42	P JENÄKER	REB 101 BUS DIFFERENTIAL PROTECTION			
Rev Ind	Revision	Reg No 7451	Resp dep PS		Rev Ind 5 98-08-11	Lang en	
Based on	Pcl 890.638	ABB ABB Network Partner AB		7451 430-AA		Sheet 1	Cont 2

We reserve all rights in this document and in the information contained therein. Reproductions, use for other than intended purposes, or distribution without the written consent of ABB Network Partner AB is strictly forbidden.



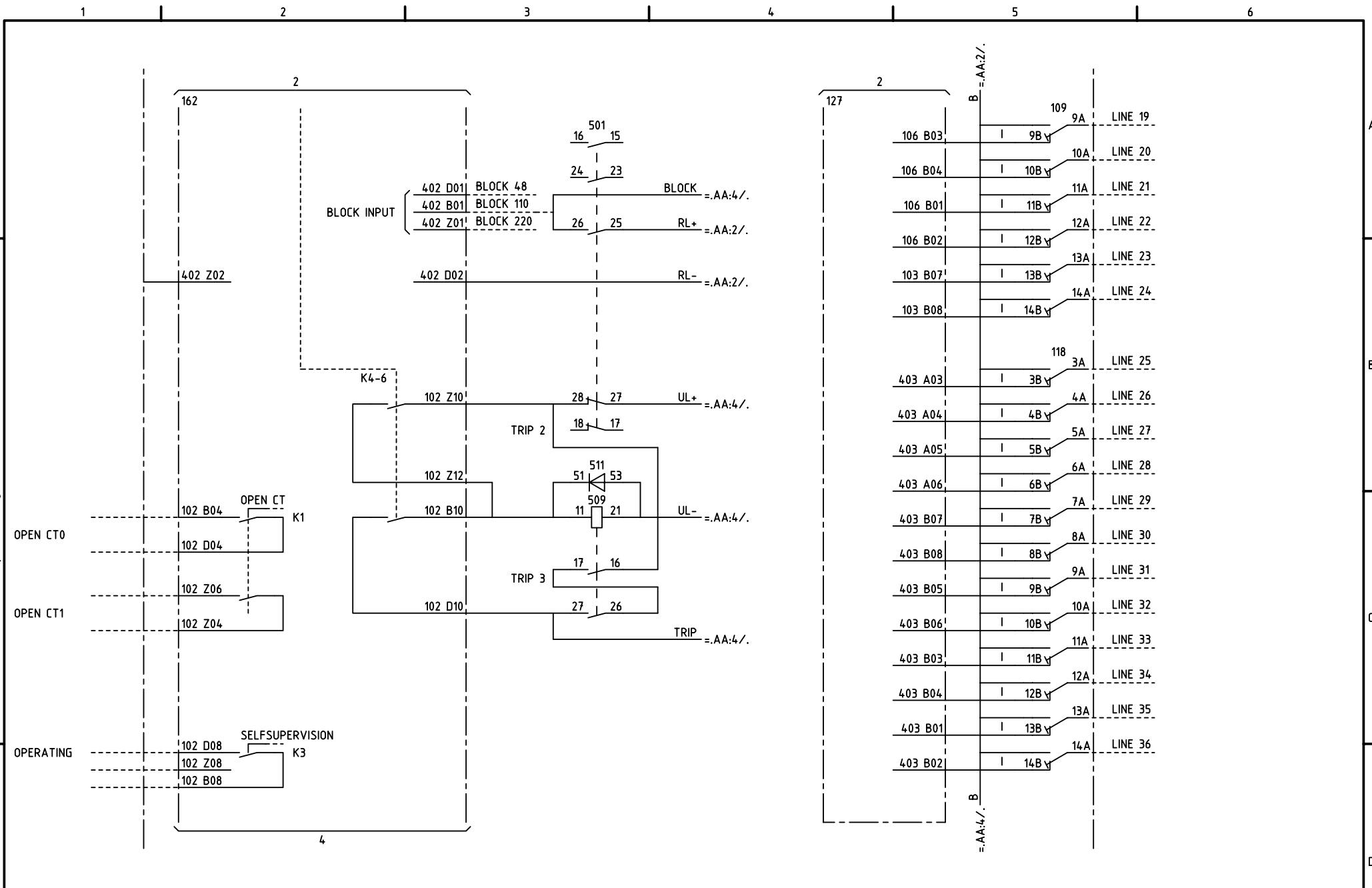
ELCAD ID PS/render

DATE 2004-06-225:17

Issued in ARCADE

Prepared 93 42		N BRANDT		CIRCUIT DIAGRAM				
Approved 93 42		P JENÄKER		REB 101 BUS DIFFERENTIAL PROTECTION				
Rev Ind	Revision	Reg No	7451	Resp dep PS		Rev Ind 5	98-08-11	Lang en
Based on		Pct	890.638	ABB Network Partner AB		7451 430-AA		Sheet 2
								Cont 3

We reserve all rights in this document and in the information contained therein. Reproductions, use for other than the intended purpose or distribution is strictly forbidden. © ABB Network Partner AB



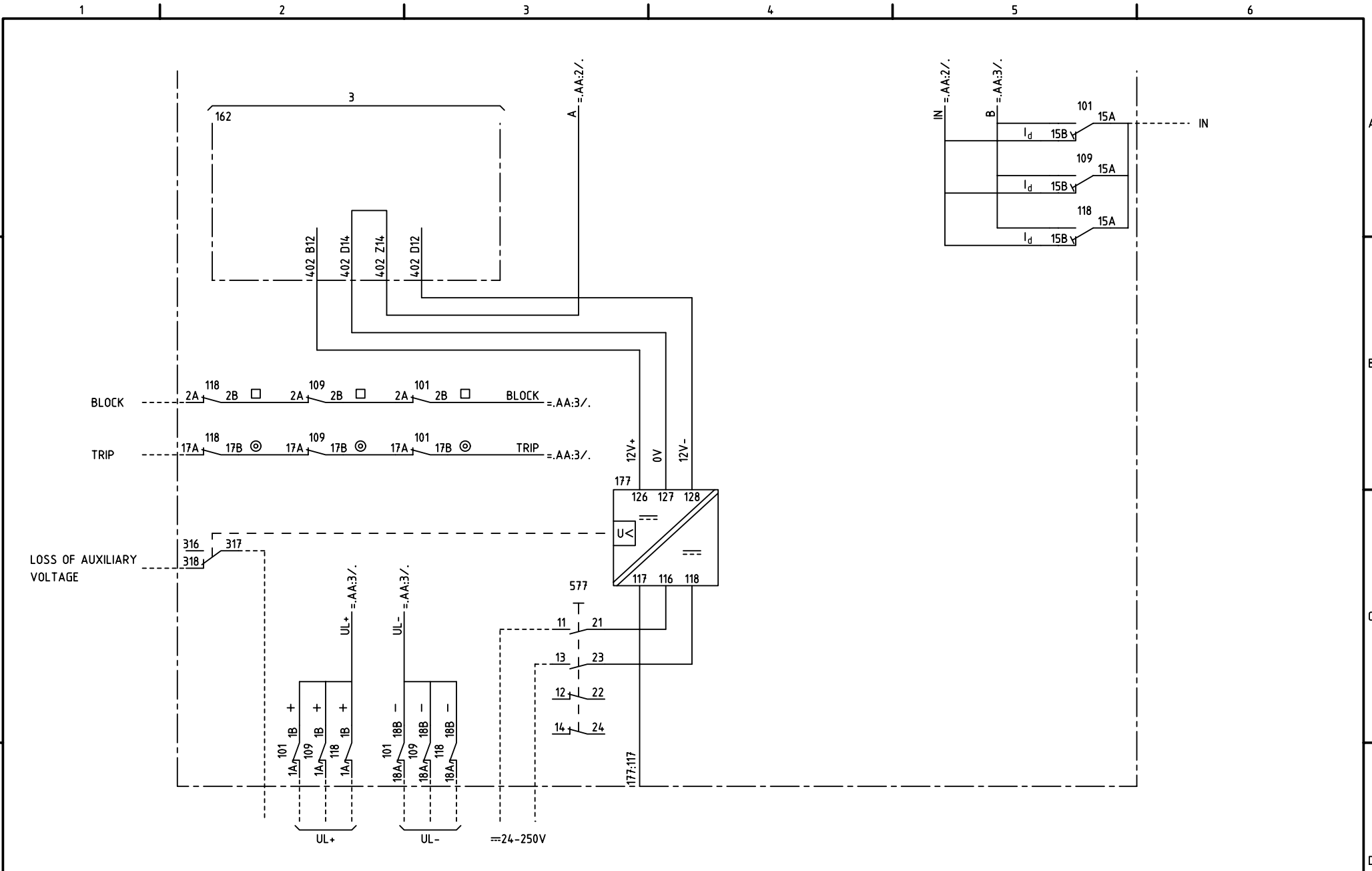
ELCAD ID PS/render

DATE 2004-06-225:17

Issued in ARCADE

Prepared 93 42		N BRANDT		CIRCUIT DIAGRAM			
Approved 93 42		P JENÄKER		REB 101 BUS DIFFERENTIAL PROTECTION			
Rev Ind	Revision	Reg No	7451	Resp dep PS		Rev ind 5	98-08-11
Based on	Pct	890.638	ABB Network Partner AB		7451 430-AA		Lang en
						Sheet	3
						Cont	4

We reserve all rights in this document and in the information contained therein. Reproductions, use for other than the intended purpose or distribution is strictly forbidden. © ABB Network Partner AB



ELCAD ID PS/render

DATE 2004-06-225:17

Issued in ARCADE

Prepared 93 42		N BRANDT		CIRCUIT DIAGRAM				
Approved 93 42		P JENÄKER		REB 101 BUS DIFFERENTIAL PROTECTION				
Rev Ind	Revision	Reg No	7451	Resp dep PS		Rev Ind 5	98-08-11	Lang en
Based on	Pcl	890.638	ABB Network Partner AB		7451 430-AA		Sheet 4	
							Cont	

1

2

3

4

5

6