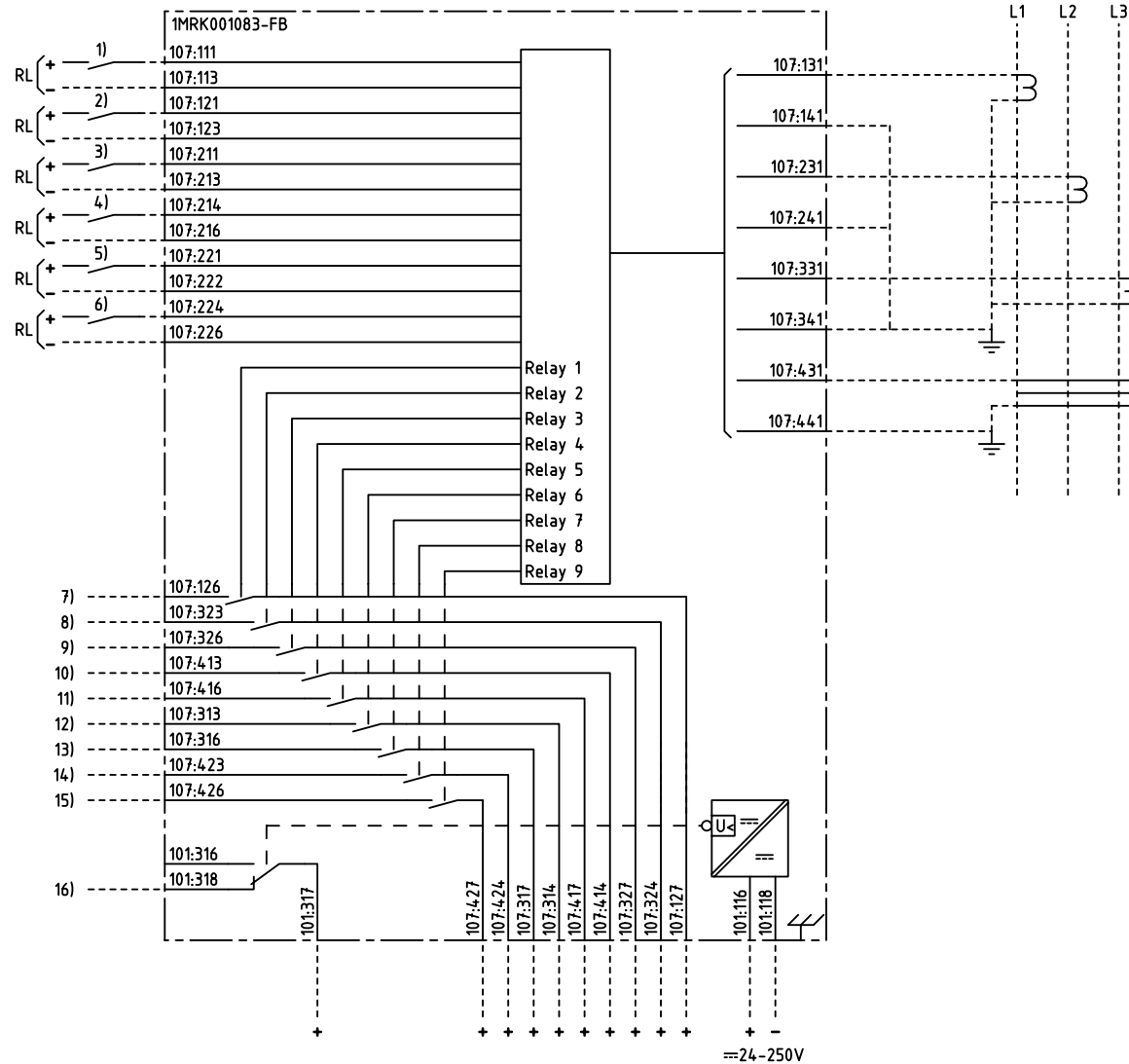
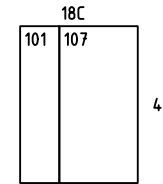


We reserve all rights in this document and in the information contained therein. Reproductions, use or distribution of this document without the written permission of ABB Automation Technologies AB is strictly forbidden.



**MULTI-FUNCTION CURRENT PROTECTION WITH BINARY I/O MODULE**



101 RXTUG 22H  
107 RXHL 411

- 1)-6) BINARY INPUT, PROGRAMMABLE
- 7)-15) RELAY OUTPUTS 1-9, PROGRAMMABLE FUNCTION
- 16) LOSS OF AUXILIARY VOLTAGE

**PROGRAMMABLE FUNCTIONS FOR BINARY INPUTS:**  
BLOCKING/ENABLING I>, I>>, I>>>, IN>, IN>>, IN>>>  
THERMAL RESET 0, BREAKER FAILURE EXTERNAL START;  
ALTERNATIVE SETTINGS; RESET OF LED INDICATIONS.

**PROGRAMMABLE FUNCTIONS FOR BINARY OUTPUTS:**  
START AND TRIP I>, I>>, I>>>, IN>, IN>>, IN>>>;  
THERMAL ALARM 0; THERMAL TRIP 0;  
BREAKER FAILURE RE-TRIP; BREAKER FAILURE BACK-UP TRIP;  
ALTERNATIVE SETTINGS; IN SERVICE

**BINARY INPUT OPTIONS:**  
CIRCUIT-BREAKER CLOSED; CIRCUIT-BREAKER READY;  
BLOCKING OF AUTORECLOSING; AUTORECLOSING EXTERNAL ON.

**BINARY OUTPUT OPTIONS:**  
AUTORECLOSING ON; AUTORECLOSING READY;  
AUTORECLOSING STARTED;  
AUTORECLOSING PULSE TO CIRCUIT-BREAKER;  
AUTORECLOSING UNSUCCESSFUL; INTENTIONAL OVERREACH TRIP.

Customer drw no	Prep. PTUA/ TPTD H Raza/JE 1999-09-24	Connection Diagram	Cont. sh/ No of sh
	Appr. PTUA/ Roger Karlsson 1999-10-07		
	Resp. dept PTUA/ TPTD	Document number	Lang. en
Based on	<b>ABB</b> ABB Automation Technologies	<b>1MRK001083-FBA</b>	Rev. -
			Sheet 1

Document status: Approved