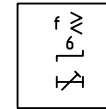
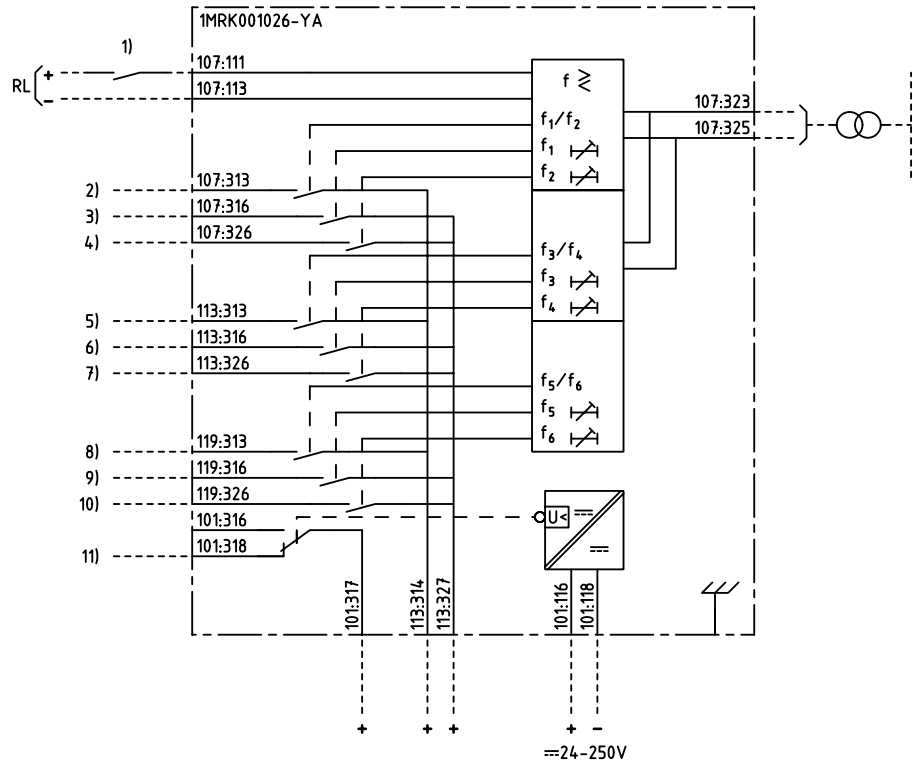


We reserve all rights in this document and in the information contained therein. Reproduction, use for other than intended purposes, or distribution without the written consent of ABB Automation Technologies AB is strictly forbidden.



OVER AND/OR UNDERFREQUENCY PROTECTION  
ÖVER OCH/ELLER UNDER FREKVENSSKYDD

24C			
101	107	113	119
4U			

101 RXTUG 22  
107,113,119 RXFK 2H

- 1) RESETTING OF INDICATION  
ÅTERSTÄLLNING AV INDIKERING
- 2) START STAGE 1/STAGE 2  
START STEG 1/STEG 2
- 3) TRIPPING STAGE 1  
UTLÖSNING STEG 1
- 4) TRIPPING STAGE 2  
UTLÖSNING STEG 2
- 5) START STAGE 3/STAGE 4  
START STEG 3/STEG 4
- 6) TRIPPING STAGE 3  
UTLÖSNING STEG 3
- 7) TRIPPING STAGE 4  
UTLÖSNING STEG 4
- 8) START STAGE 5/STAGE 6  
START STEG 5/STEG 6
- 9) TRIPPING STAGE 5  
UTLÖSNING STEG 5
- 10) TRIPPING STAGE 6  
UTLÖSNING STEG 6
- 11) LOSS OF AUXILIARY VOLTAGE  
BORTFALL AV HJÄLPSPÄNNING

Customer drw no	Prep. PTUA/ TPTD C-H Einval/JE 1999-08-13	Connection Diagram	Conf. sh/ No of sh
	Appr. PTUA/ Roger Karlsson 1999-09-03		
	Resp. dept PTUA/ TPTD	Document number	Lang.
Based on	<b>ABB</b> ABB Automation Technologies	<b>1MRK001026-YAA</b>	en
		Rev.	Sheet
		-	1

Document status: Approved