

We reserve all rights in this document and in the information contained therein. Reproductions, use or distribution of this document without the written consent of ABB Automation Technologies AB is strictly forbidden.

1 2 3 4 5 6

A

A

B

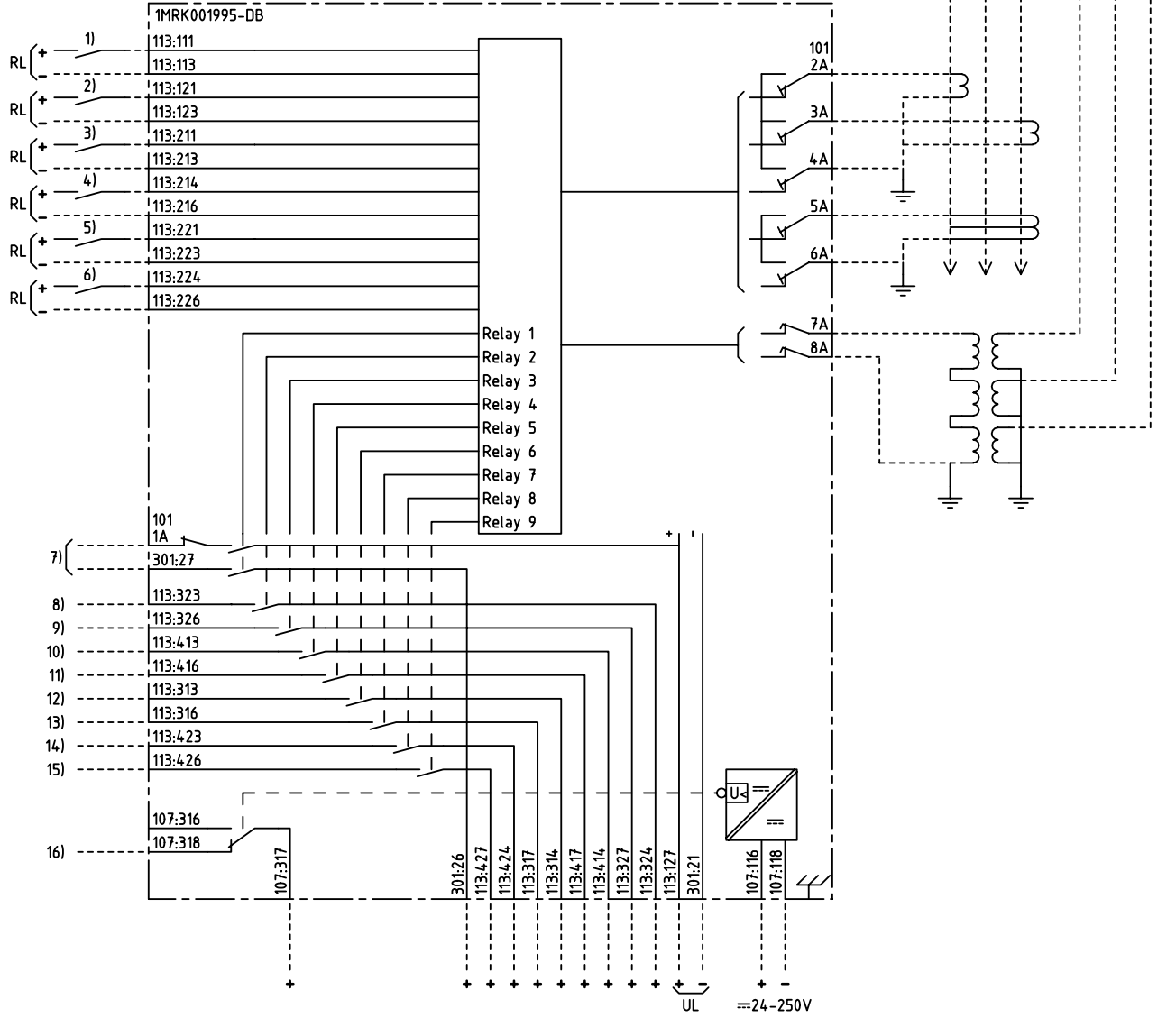
B

C

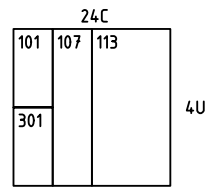
C

D

D



MULTI-FUNCTION OVERCURRENT AND DIR. EARTH-FAULT PROTECTION WITH BINARY I/O MODULE



- 101 RTXP 8
- 107 RXTUG 22H
- 113 RXHL 422
- 301 RXME 18

- 1)-6) BINARY INPUT, PROGRAMMABLE
- 7)-15) RELAY OUTPUTS 1-9, PROGRAMMABLE FUNCTION
- 16) LOSS OF AUXILIARY VOLTAGE

PROGRAMMABLE FUNCTIONS FOR BINARY INPUTS:
BLOCKING/ENABLING I>, I>>, I>>>, DIR IN>, DIR IN>>, DIR IN>>>;
THERMAL RESET 0, BREAKER FAILURE EXTERNAL START,
ALTERNATIVE SETTINGS; RESET OF LED INDICATIONS.

PROGRAMMABLE FUNCTIONS FOR BINARY OUTPUTS:
START AND TRIP I>, I>>, I>>>, DIR IN>, DIR IN>>, DIR IN>>>;
THERMAL ALARM 0; THERMAL TRIP 0;
BREAKER FAILURE RE-TRIP; BREAKER FAILURE BACK-UP TRIP;
ALTERNATIVE SETTINGS; IN SERVICE

BINARY INPUT OPTIONS:
CIRCUIT-BREAKER CLOSED; CIRCUIT-BREAKER READY;
BLOCKING OF AUTORECLOSING; AUTORECLOSING EXTERNAL ON.

BINARY OUTPUT OPTIONS:
AUTORECLOSING ON; AUTORECLOSING READY;
AUTORECLOSING STARTED;
AUTORECLOSING PULSE TO CIRCUIT-BREAKER;
AUTORECLOSING UNSUCCESSFUL; INTENTIONAL OVERREACH TRIP.

Customer drw no	Prep. PTUA/ TPTD H Raza/JE 2000-03-22	Connection Diagram	Cont. sh/ No of sh		
	Appr. PTUA/ Roger Karlsson 2000-03-31			Multi-funct current prot	
	Resp. dept PTUA/ TPTD				
Based on	ABB ABB Automation Technologies	Document number 1MRK001995-DBA	Lang. en	Rev. -	Sheet 1

Document status: Approved