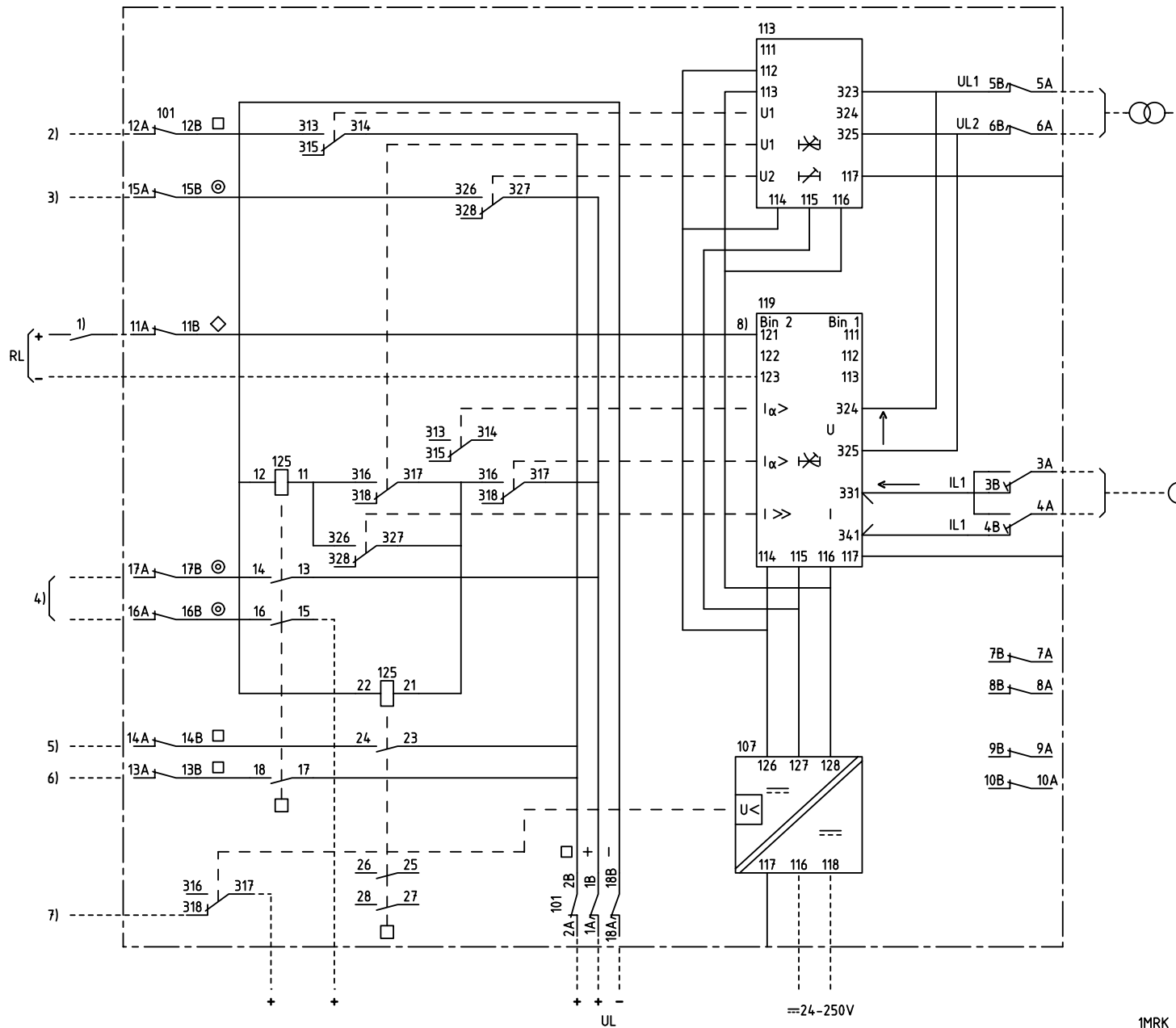


We reserve all rights in this document and in the information contained therein. Reproduction, use for other than intended purposes, without the written permission of ABB Automation Technologies AB is strictly forbidden.



LOSS-OF-EXCITATION PROTECTION
UNDERMAGNETISERINGSSKYDD

30C				
101	107	113	119	125
4U				

101	RTXP 18
107	RXTUG 22H
113	RXEDK 2H
119	RXPDK 21H
125	RXSF 1

- 1) RESETTING OF INDICATION
ÅTERSTÄLLNING AV INDIKERING
- 2) UNDERVOLTAGE STAGE 1, ALARM
UNDERSPÄNNING STEG 1, SIGNAL
- 3) OVER/UNDER VOLTAGE STAGE 2, TRIPPING
OVER/UNDERSPÄNNING STEG 2, UTLÖSNING
- 4) LOSS-OF-EXCITATION, TRIPPING ETC.
MAGNETISERINGSBORTFALL, UTLÖSNING M.M
- 5) UNDER EXCITATION, ALARM
UNDERMAGNETISERING, SIGNAL
- 6) LOSS-OF-EXCITATION, ALARM
MAGNETISERINGSBORTFALL, SIGNAL
- 7) LOSS OF AUXILIARY VOLTAGE
BORTFALL AV HJÄLPSPÄNNING
- 8) CONNECTED FOR RL=110-220V DC.
CHANGE FROM 121 TO 122
AT RL=48-60V DC

KOPPLAD FÖR RL=110-220V DC.
ÄNDRA FRÅN 121 TILL 122
VID RL=48-60V DC

Customer drw no	Prep. PTUA/ TPTD Eriksson Jill	2001-03-07	1MRK 001073-EF	Cont. sh/ No of sh
	Appr. PTUA/ TATD Karlsson Roger	2001-03-13	Circuit Diagram Loss-of-excitation Prot.	
	Resp. dept PTUA/ TPTD		Document number	Lang.
Based on	ABB ABB Automation Technologies		1MRK001074-EF	Rev. A
				Sheet 1

Document status: Approved