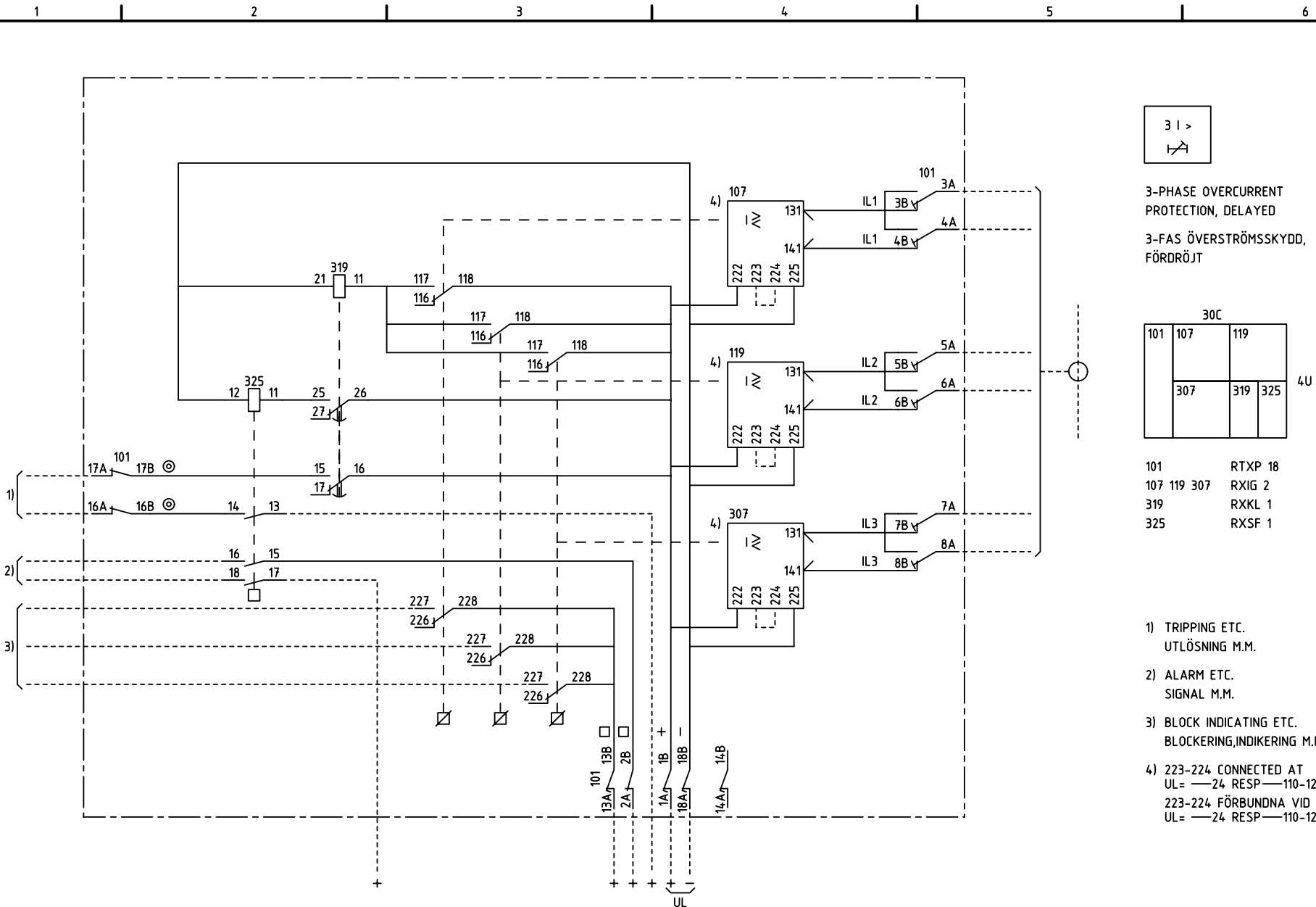


We reserve all rights in this document and in the information contained therein. Reproductions, use for other than intended purposes or distribution without the written permission of ABB Network Partner AB is strictly forbidden.



ELCAD ID PAT/render

DATE 2004-06-22:25

RK 651 010-CB

Issued in ARCADE

		Prepared 73 34	C-H EINVALL	CIRCUIT DIAGRAM/KRETSSCHEMA			
		Approved 74 34	P JENÅKER	OVERCURRENT PROTECTION			
				ÖVERSTRÖMSSKYDD		Resp dep PAT	Rev ind 7 96 45
Rev Ind	Revision	Reg No 7431	ABB ABB Network Partner AB		7431 0011-CB		Lang 82
Based on		Pcl 890.651					Sheet 1

1

2

3

4

5

6