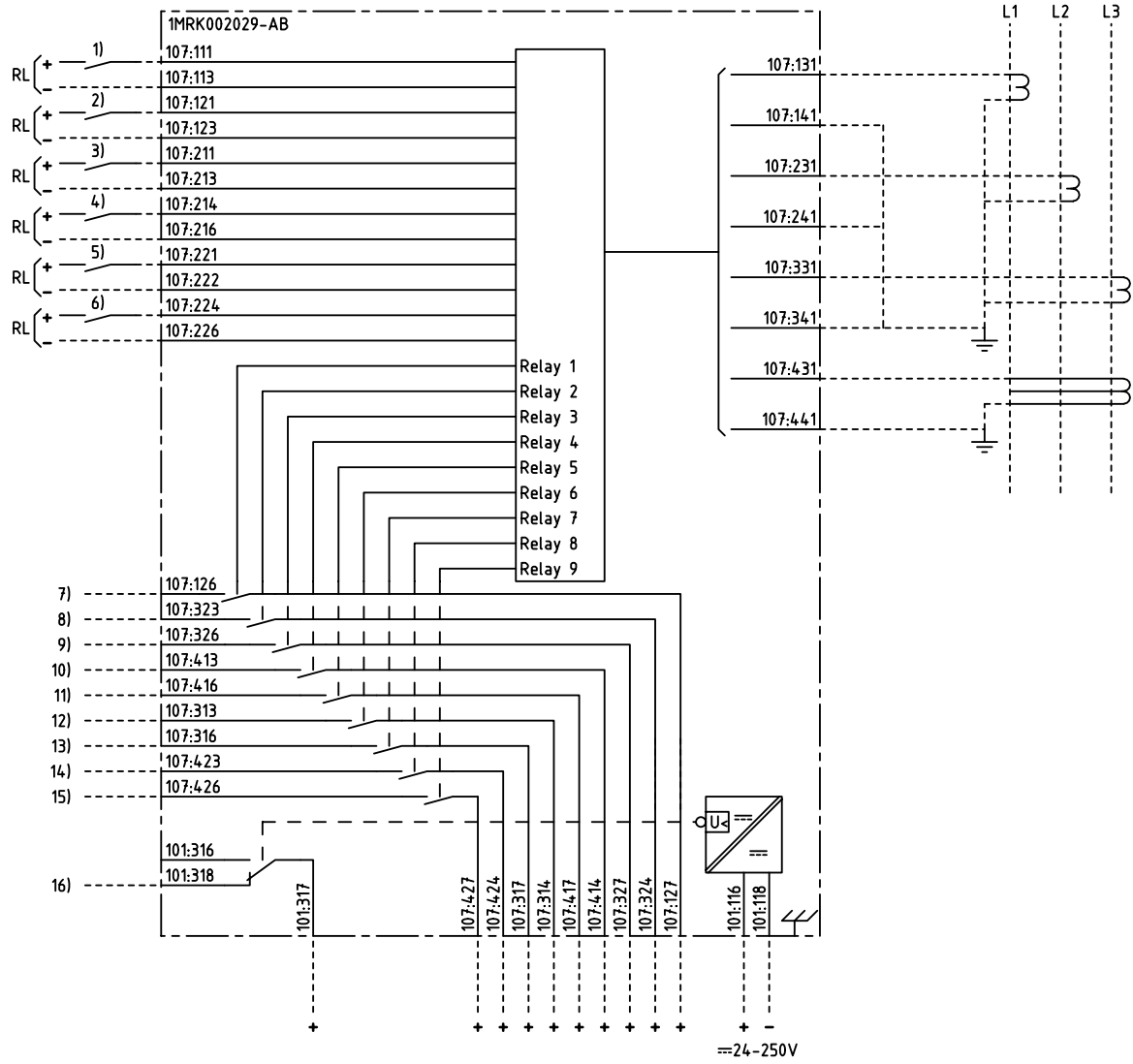
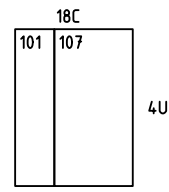


We reserve all rights in this document and in the information contained therein. Reproductions, use or distribution of this document without the written consent of ABB Automation Technologies AB is strictly forbidden.



**MULTI-FUNCTION BREAKER FAILURE PROTECTION WITH BINARY I/O OPTION**



101 RXTUG 22H  
107 RXHB 411

- 1)-6) BINARY INPUT, PROGRAMMABLE
- 7)-15) RELAY OUTPUTS 1-9, PROGRAMMABLE FUNCTION
- 16) LOSS OF AUXILIARY VOLTAGE

**PROGRAMMABLE FUNCTIONS FOR BINARY INPUTS:**  
BREAKER FAILURE EXTERNAL START SIGNAL: IL1, IL2, IL3, 3-PHASE,  
UNCONDITIONAL BREAKER FAILURE, CIRCUIT-BREAKER FAILURE;  
BLOCKING BREAKER FAILURE AND POLE DISGREEMENT; STORE ACTUAL CURRENTS; RESET OF LED INDICATION.

**PROGRAMMABLE FUNCTIONS FOR BINARY OUTPUTS:**  
RETRIP SIGNAL IL1, IL2, IL3, 3-PHASE; BACK-UP TRIP 1 SIGNAL;  
BACK-UP TRIP 2 SIGNAL, POLE DISAGREEMENT START AND TRIP;  
IN SERVICE

**BINARY INPUT OPTIONS:**  
BLOCKING/ENABLING I>, I>>, IN>, IN>>;

**BINARY OUTPUT OPTIONS:**  
START AND TRIP IL1>, IL2>, IL3>, IL1>>, IL2>>, IL3>>, MULTI-PHASE I>,  
MULTI-PHASE I>>, IN>, IN>>.

Customer drw no	Prep. PTUA/ TPTD Eriksson Jill 2001-01-04	Connection Diagram	Cont. sh/ No of sh
	Appr. PTUA/ TATD Karlsson Roger 2001-01-11		
	Resp. dept PTUA/ TPTD	Document number	Lang. en
Based on	<b>ABB</b> ABB Automation Technologies	<b>1MRK002029-ABA</b>	Rev. -
			Sheet 1

Document status: Approved