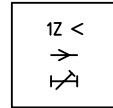
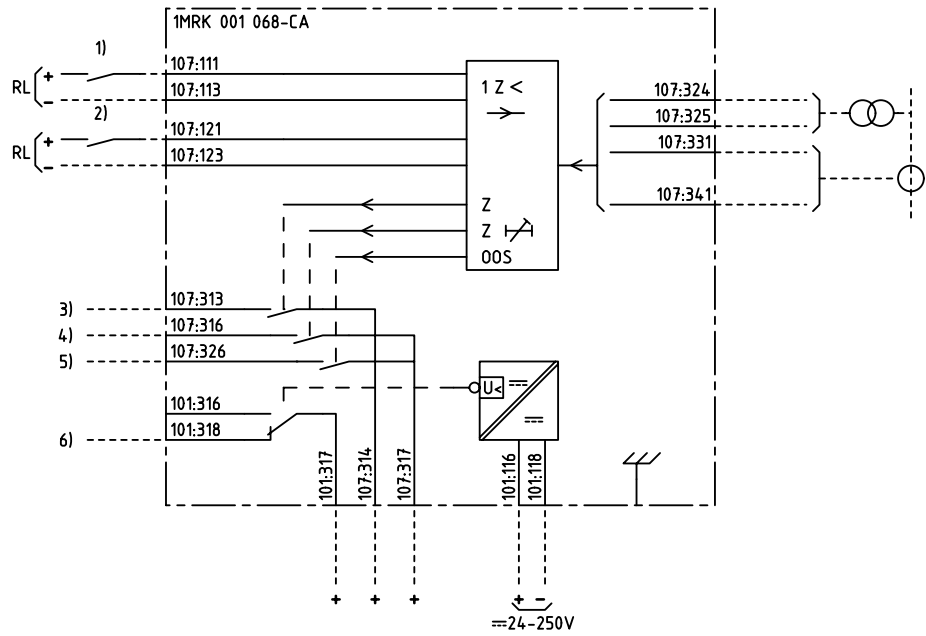


We reserve all rights in this document and in the information contained therein. Reproduction, use for other than intended purposes, or distribution without the written consent of ABB Network Partner AB is strictly forbidden.



1-PH UNDERIMPEDANCE PROTECTION
 DELAYED
 1-FAS UNDERIMPEDANSSKYDD
 FÖRDRÖJT

- 1) TOTAL BLOCKING
TOTAL BLOCKERING
- 2) RESETTING OF INDICATION
ÅTERSTÄLLNING AV INDIKERING
- 3) UNDERIMPEDANCE, START
UNDERIMPEDANS, START
- 4) UNDERIMPEDANCE, TRIPPING
UNDERIMPEDANS, UTLÖSNING
- 5) OUT OF STEP, TRIPPING
URFASFALL, UTLÖSNING
- 6) LOSS OF AUXILIARY VOLTAGE
BORTFALL AV HJÄLPSPÄNNING

ELCAD ID PS/render

DATE 2004-06-23:06

Issued in ARCADE

Prepared 97-04-17 C-H EINVALL/JE		TERMINAL DIAGRAM/UTTAGSSCHEMA		Resp dep PS		Rev ind 1 97.27		Lang 82	
Approved 97-04-23 Peter Jenøker		RAZK 231 1-PHASE UNDERIMPEDANCE PROT.		1MRK 001 068-CAA		Sheet 1			
Reg No 7411		RAZK 231 1-FAS UNDERIMPEDANSSKYDD		Cont					
Based on Pcl 890.557		ABB ABB Network Partner AB							