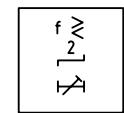
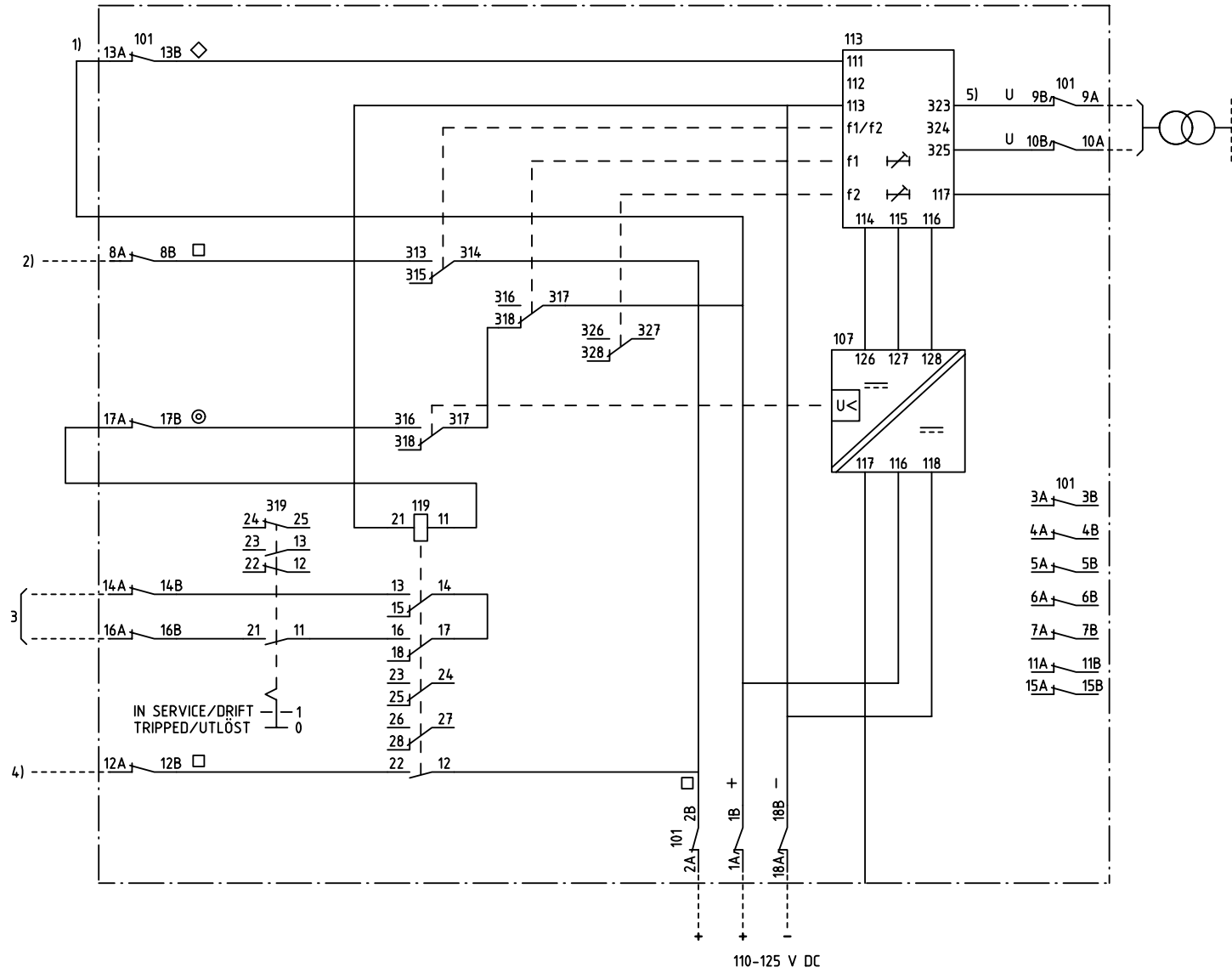
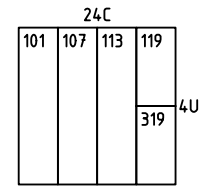


We reserve all rights in this document and in the information contained therein. Reproduction, use for other than intended purposes, or distribution without the written consent of ABB Network Partner AB is strictly forbidden.

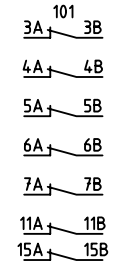


OVER OR UNDERFREQUENCY PROTECTION
ÖVER ELLER UNDER FREKVENSSKYDD



- 101 RTXP 18
- 107 RXTUG 22H
- 113 RXFK 2H
- 119 RXMB 1
- 319 SWITCH

- 1) RESETTING OF INDICATION
ÅTERSTÄLLNING AV INDIKERING
- 2) START STAGE 1/STAGE 2
START STEG 1/STEG 2
- 3) TRIPPING
UTLÖSNING
- 4) ALARM ETC
SIGNAL MM.
- 5) CONNECTED FOR UR=200V AC
KOPPLAD FÖR UR=200V vs



110-125 V DC

ELCAD ID PS/render DATE 2004-06-2223:31 1MRK 001 025-ES Issued in ARCADE

Prepared 98-01-30 H RAZA		CIRCUIT DIAGRAM/KRETSSCHEMA		Resp dep PS		Rev Ind -		Lang 82	
Approved 98-04-09 P JENÄKER		RAFK 1 FEREQUENCY PROTECTION		Sheet 1		Cont			
Rev Ind		Revision		Reg No 7411		Based on		Pcl 890 461	
				Pcl 890 461		ABB ABB Network Partner AB		1MRK 001 026-ES	