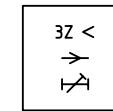
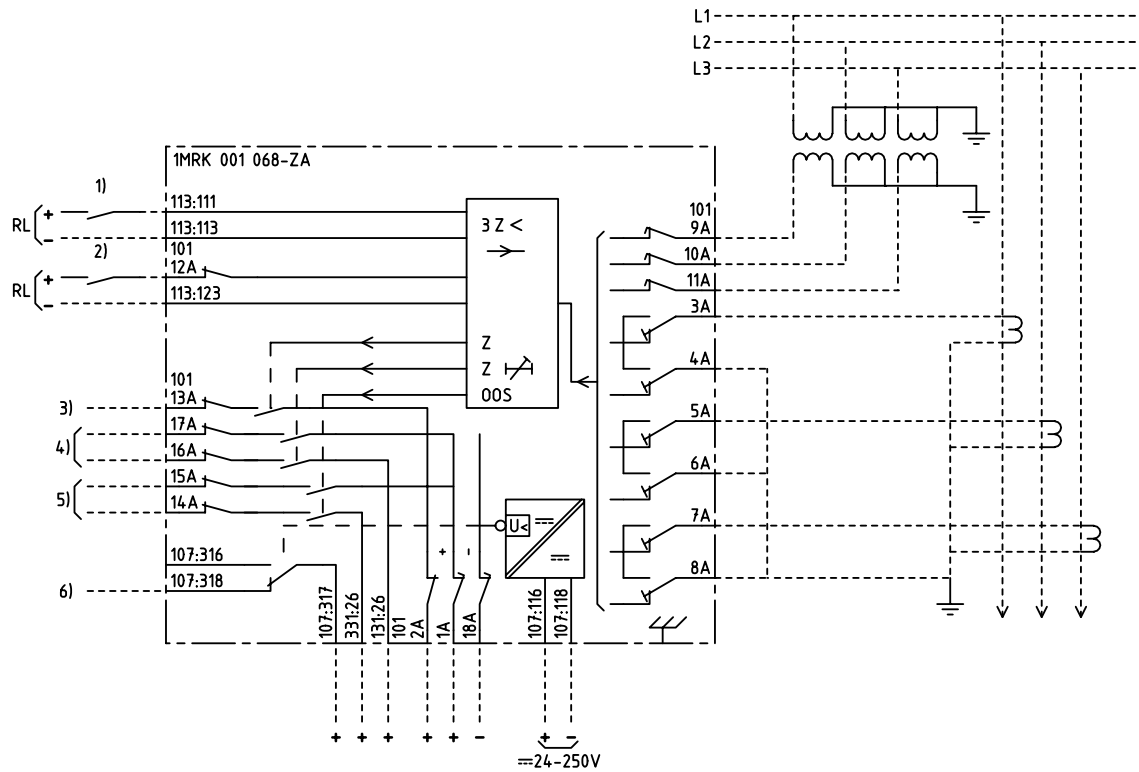


We reserve all rights in this document and in the information contained therein. Reproduction, use for other than intended purposes, or distribution without the written permission of ABB Network Partner AB is strictly forbidden.



3-PH UNDERIMPEDANCE PROTECTION  
 DELAYED  
 3-FAS UNDERIMPEDANSSKYDD  
 FÖRDRÖJT

- 1) TOTAL BLOCKING  
TOTAL BLOCKERING
- 2) RESETTING OF INDICATION  
ÅTERSTÄLLNING AV INDIKERING
- 3) UNDERIMPEDANCE, START  
UNDERIMPEDANS, START
- 4) UNDERIMPEDANCE, TRIPPING  
UNDERIMPEDANS, UTLÖSNING
- 5) OUT OF STEP, TRIPPING  
URFASFALL, UTLÖSNING
- 6) LOSS OF AUXILIARY VOLTAGE  
BORTFALL AV HJÄLPSPÄNNING
- 7) CONNECTED FOR RL=110-220V DC  
CHANGE FROM 111 TO 112 AND  
121 TO 122 AT RL=48-60V DC  
KOPPLAD FÖR RL=110-220V DC  
ÄNDRA FRÅM 111 TILL 112 OCH  
121 TILL 122 VID RL=48-60V DC

ELCAD ID PS/render

DATE 2004-06-2219:47

Issued in ARCADE

Prepared 97-04-03 C-H EINVALL/JE		TERMINAL DIAGRAM/UTTAGSSCHEMA	
Approved 97-06-24 Peter Jenøker		RAZK 233 3-PHASE UNDERIMPEDANCE PROT.	
		RAZK 233 3-FAS UNDERIMPEDANSSKYDD	
Rev Ind	Revision	Reg No 7411	Resp dep PS
Based on	Pct 890.557		Rev ind -
		Lang 82	
		Sheet 1	
		Cont	

**ABB** ABB Network Partner AB

**1MRK 001 068-ZAA**