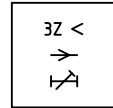
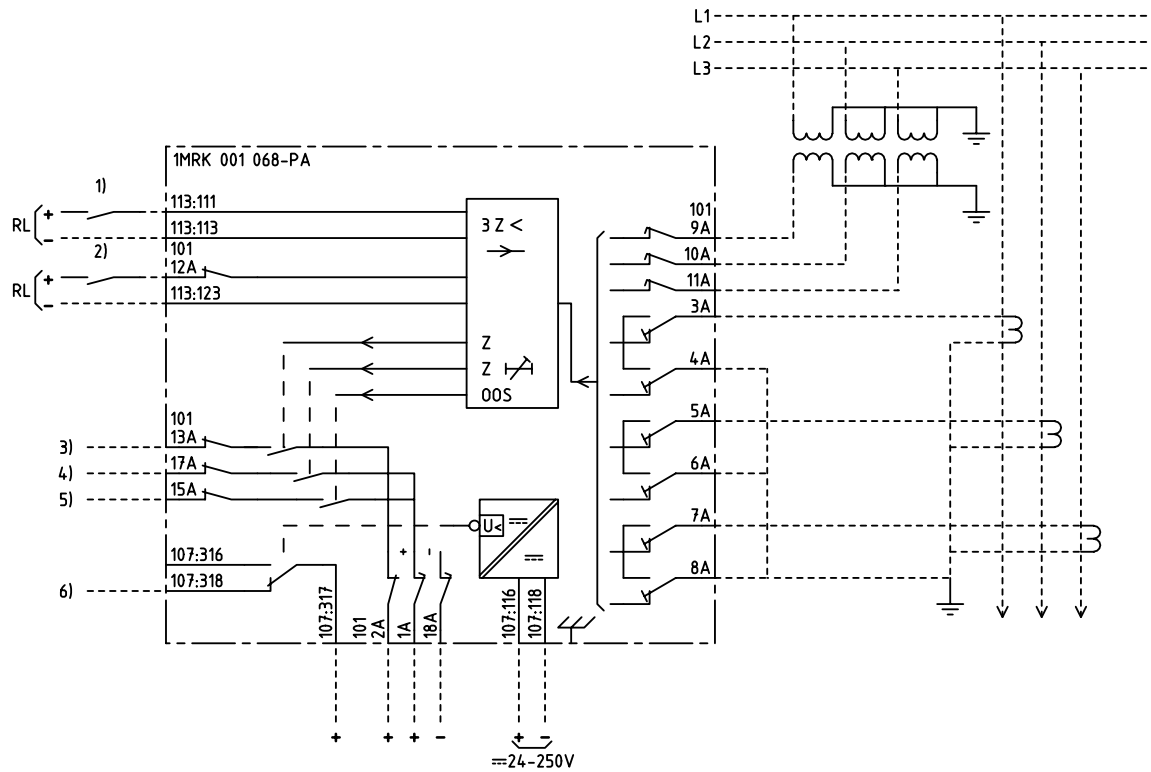


We reserve all rights in this document and in the information contained therein. Reproduction, use for other than intended purposes, without the written authority of ABB Network Partner AB is strictly forbidden.



3-PH UNDERIMPEDANCE PROTECTION
 DELAYED
 3-FAS UNDERIMPEDANSSKYDD
 FÖRDRÖJT

- 1) TOTAL BLOCKING
TOTAL BLOCKERING
- 2) RESETTING OF INDICATION
ÅTERSTÄLLNING AV INDIKERING
- 3) UNDERIMPEDANCE, START
UNDERIMPEDANS, START
- 4) UNDERIMPEDANCE, TRIPPING
UNDERIMPEDANS, UTLÖSNING
- 5) OUT OF STEP, TRIPPING
URFASFALL, UTLÖSNING
- 6) LOSS OF AUXILIARY VOLTAGE
BORTFALL AV HJÄLPSPÄNNING
- 7) CONNECTED FOR RL=110-220V DC
CHANGE FROM 111 TO 112 AND
121 TO 122 AT RL=48-60V DC
KOPPLAD FÖR RL=110-220V DC
ÄNDRA FRÅM 111 TILL 112 OCH
121 TILL 122 VID RL=48-60V DC

ELCAD ID PS/render

DATE 2004-06-230:28

Issued in ARCADE

Prepared 97-04-03 C-H EINVALL/JE		TERMINAL DIAGRAM/UTTAGSSCHEMA	
Approved 97-06-24 Peter Jenøker		RAZK 233 3-PHASE UNDERIMPEDANCE PROT.	
		RAZK 233 3-FAS UNDERIMPEDANSSKYDD	
Rev Ind	Revision	Reg No 7411	Resp dep PS
Based on	Pct 890.557		Rev ind -
		Lang 82	
		Sheet 1	
		Cont	

ABB ABB Network Partner AB

1MRK 001 068-PAA