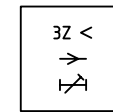
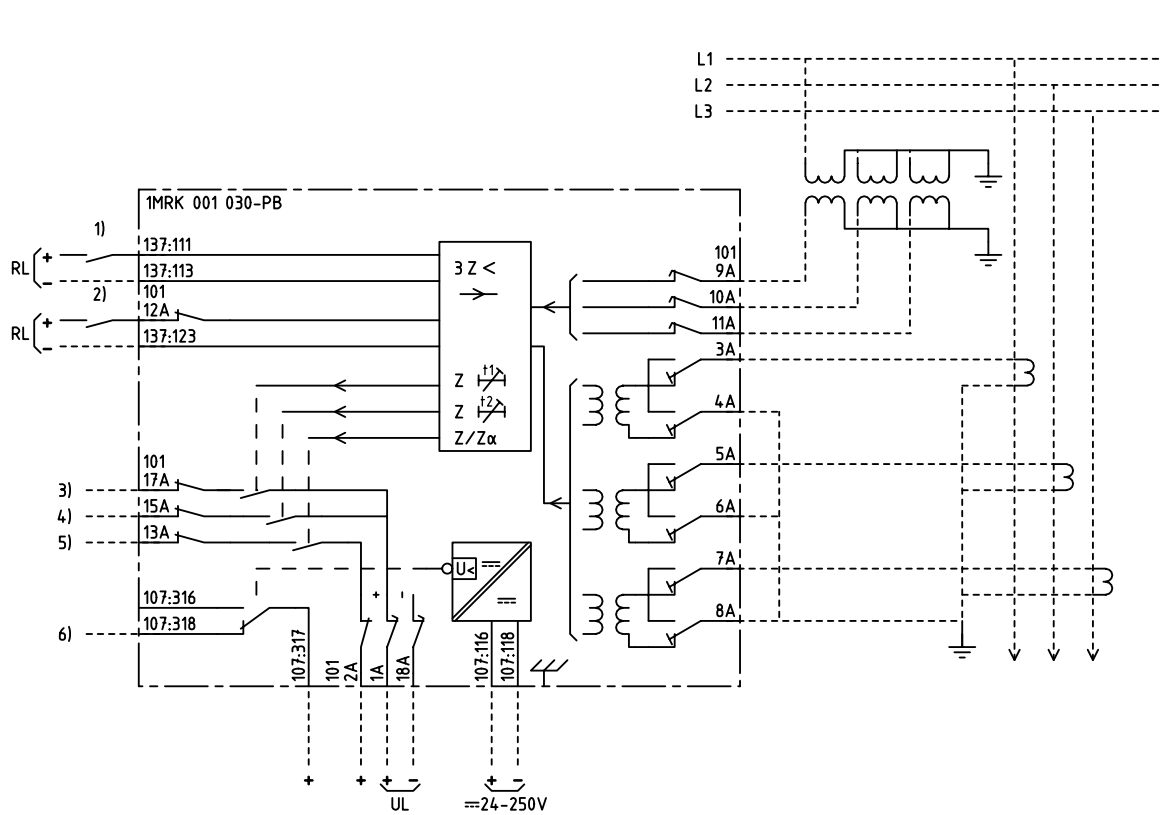


We reserve all rights in this document and in the information contained therein. Reproduction, use for other than intended purposes, or distribution without the written consent of ABB Network Partner AB is strictly forbidden.



3-PH UNDERIMPEDANCE PROTECTION
 DELAYED
 3-FAS UNDERIMPEDANSSKYDD
 FÖRDRÖJT

54C						
101	107	113	125	137	143	149
		313				4U

101 RTXP 18
 107 RXTUG 22H
 113,125,313 TRANSFORMER UNIT
 137,143,149 RXZK 21H

- 1) BLOCKING OF ALL FUNCTIONS EXCEPT $Z_{\alpha<}$ OR BLOCKING OF TRIP $Z^{\frac{1}{2}\alpha<}$ OR ENABLE OF $Z/Z_{\alpha<}$ OR ACCELERATION OF $Z^{\frac{1}{2}\alpha<}$.
 BLOCKERING AV ALLA FUNKTIONER UTOM $Z_{\alpha<}$ ELLER BLOCKERING AV UTLÖSNING $Z^{\frac{1}{2}\alpha<}$ ELLER FRIGIVNING AV $Z/Z_{\alpha<}$ ELLER ACCELERATION AV $Z^{\frac{1}{2}\alpha<}$
- 2) RESETTING OF INDICATION
 ÅTERSTÄLLNING AV INDIKERING
- 3) UNDERIMPEDANCE, TRIPPING STAGE 1
 UNDERIMPEDANS, UTLÖSNING STEG 1
- 4) UNDERIMPEDANCE, TRIPPING STAGE 2
 UNDERIMPEDANS, UTLÖSNING STEG 2
- 5) UNDERIMPEDANCE/DIR. UNDERIMPEDANCE, START
 UNDERIMPEDANS/RIKTAD UNDERIMPEDANS, START
- 6) LOSS OF AUXILIARY VOLTAGE
 BORTFALL AV HJÄLPSPÄNNING

ELCAD ID PS/render

DATE 2004-06-23:55

Issued in ARCADE

Prepared 98-03-26 H RAZA/JE		CIRCUIT DIAGRAM/KRETSSCHEMA		Resp dep PS		Rev ind 1 98-05-27		Lang 82	
Approved 98-04-23 P JENÄKER		RAZK 213 3-PHASE UNDERIMPEDANCE PROT.		Rev ind 1 98-05-27		Lang 82		Sheet 1	
Rev Ind Revision		Reg No 7411		Rev ind 1 98-05-27		Lang 82		Sheet 1	
Based on		Pcl 890.557		Rev ind 1 98-05-27		Lang 82		Sheet 1	
				Rev ind 1 98-05-27		Lang 82		Sheet 1	
				Rev ind 1 98-05-27		Lang 82		Sheet 1	

ABB ABB Network Partner AB

1MRK 001 030-PBA

Cont